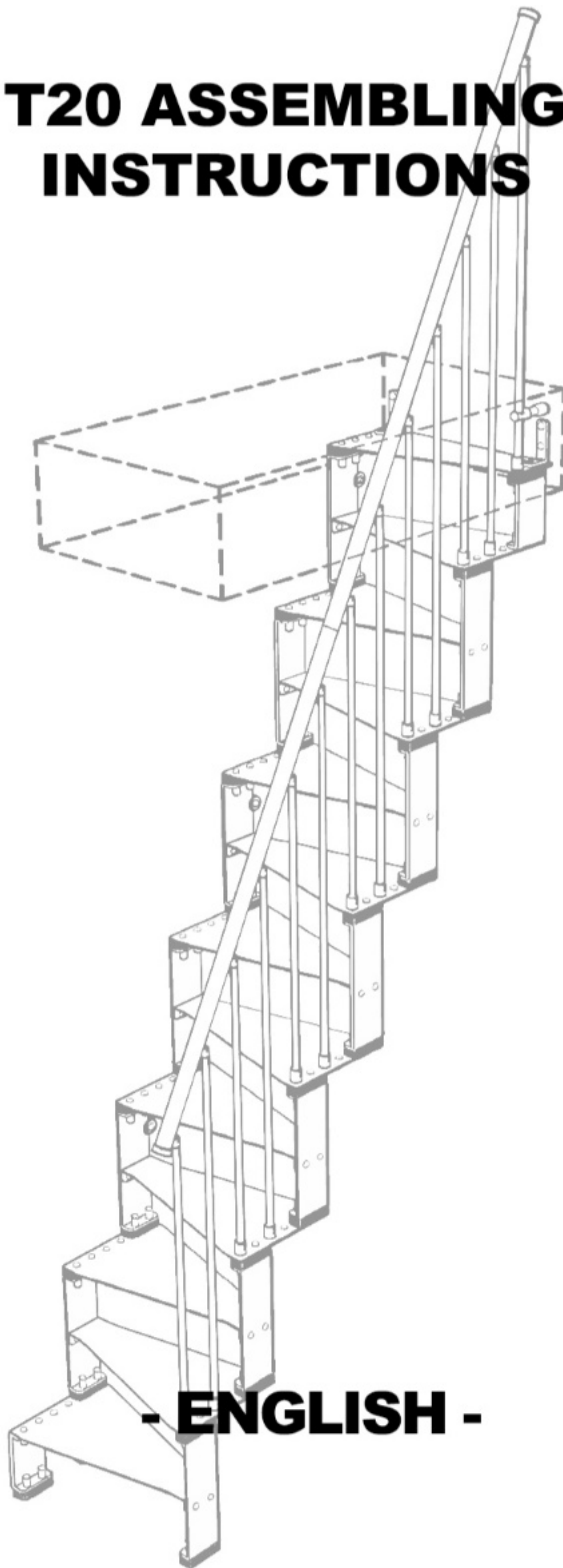
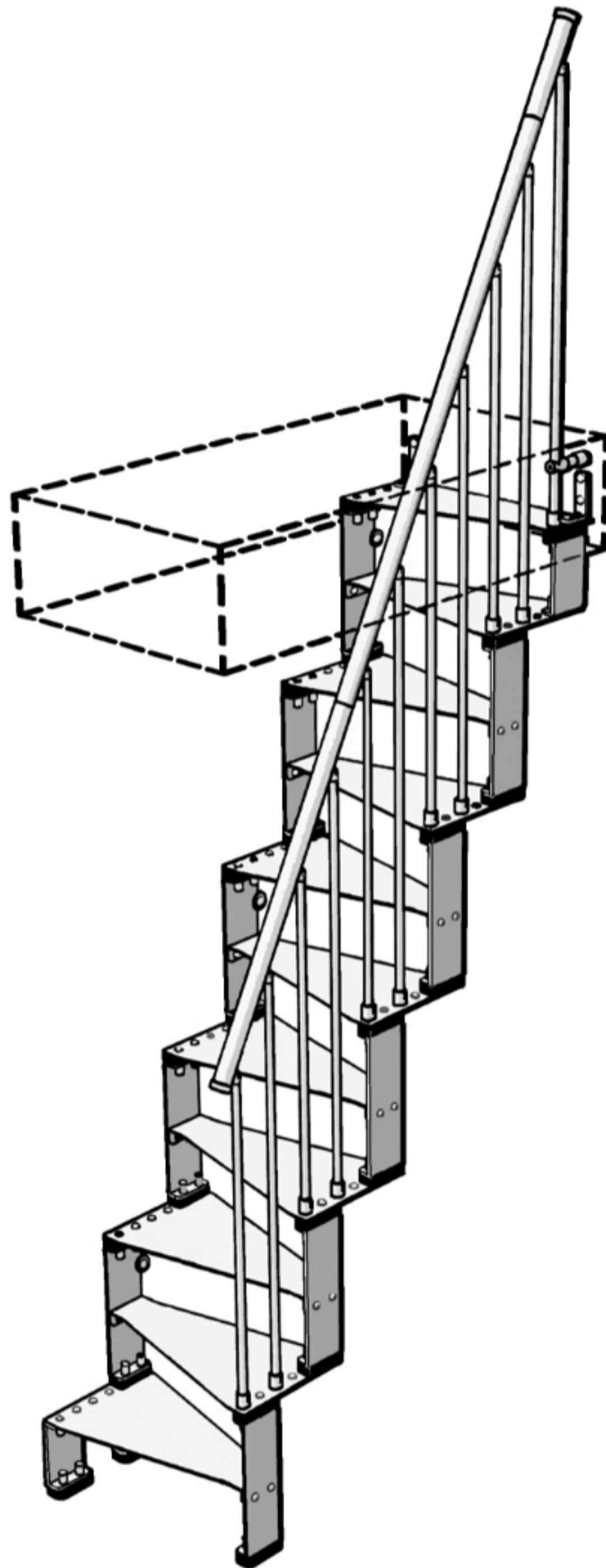


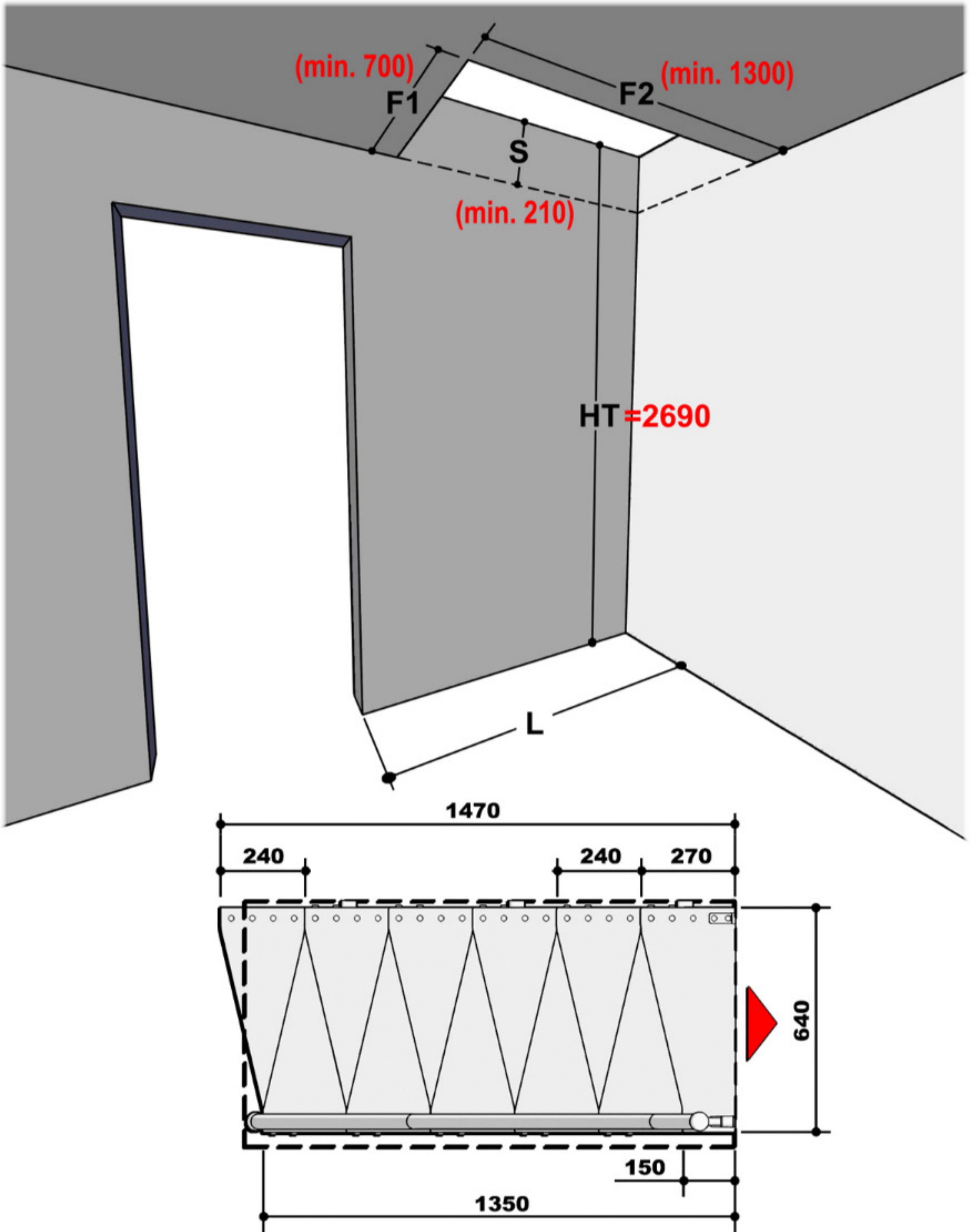
T20 ASSEMBLING INSTRUCTIONS

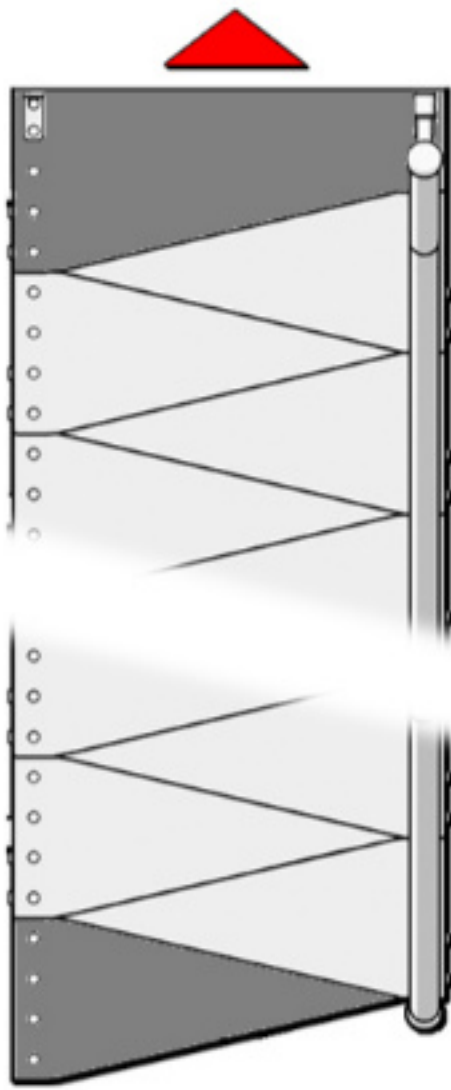


- ENGLISH -

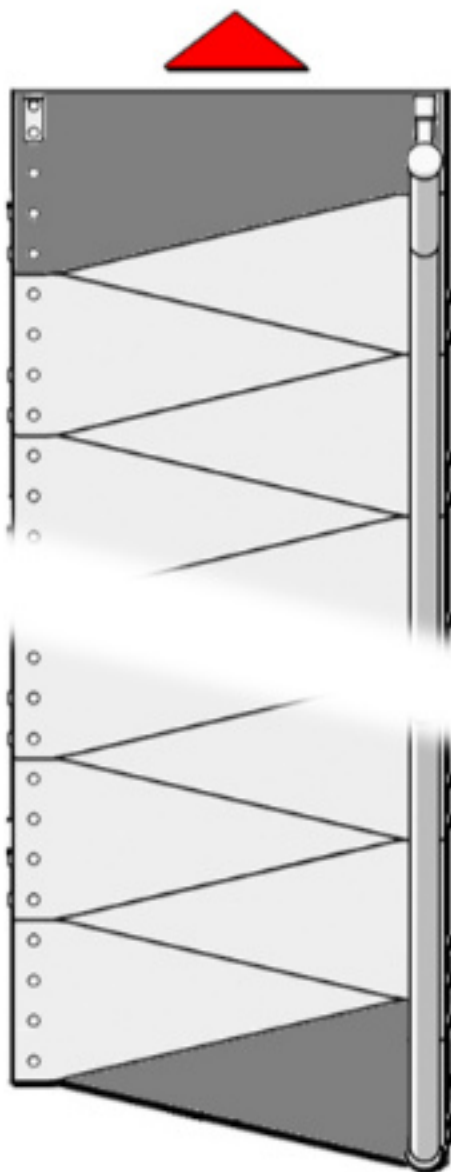
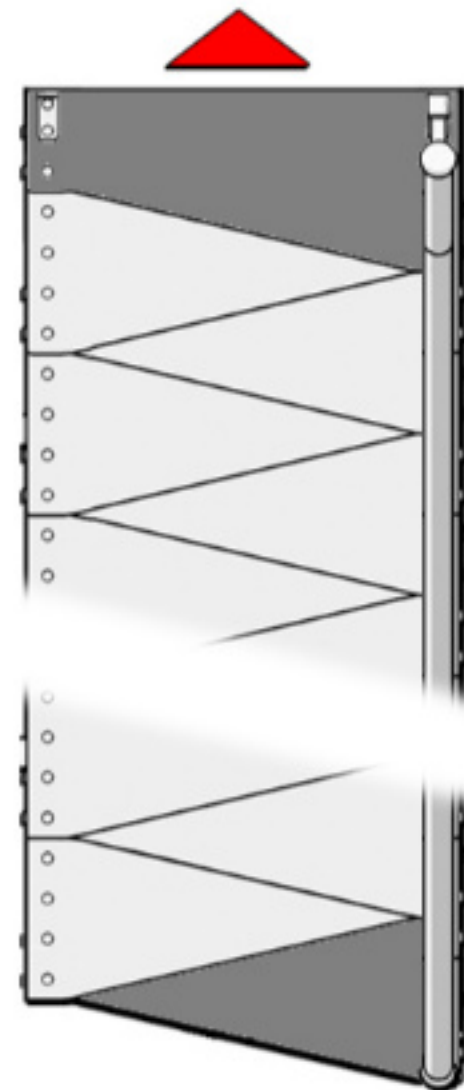


Please note: All measurements, dimensions and numerical values are always in mm. This manual will refer to a straight 11 treads kit staircase

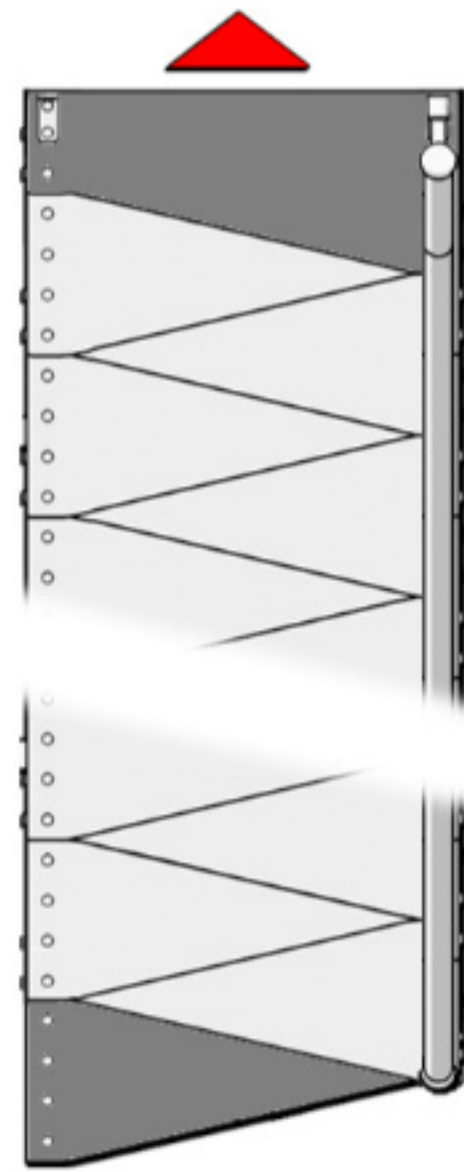




ODD TREADS STAIR-CASE KIT



EVEN TREADS STAIR-CASE KIT



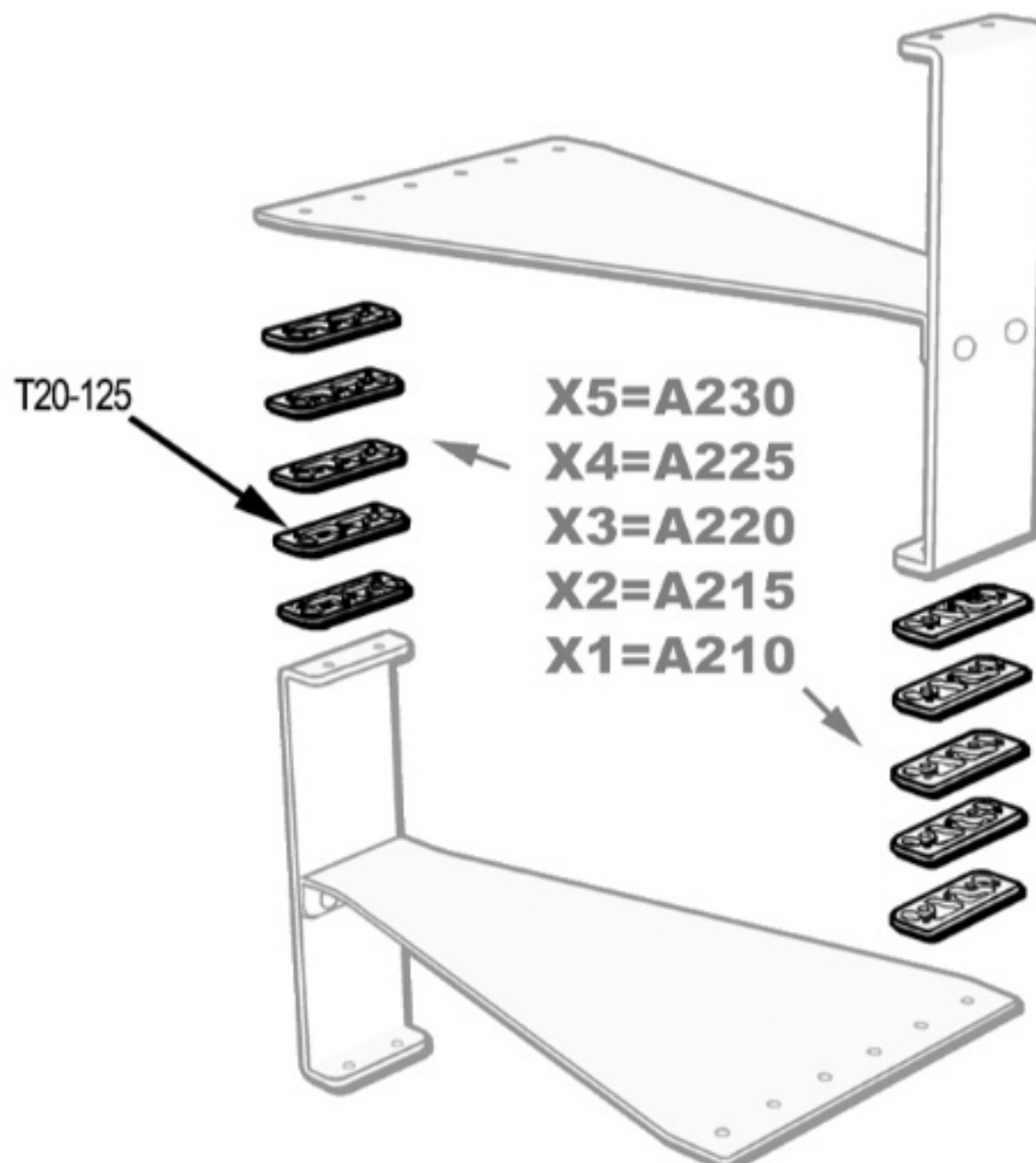
T20	Total height HT	Risers HEIGHT				
		210	215	220	225	230
11-1 tread 11 risers	2310	11				
	2320	9	2			
	2330	7	4			
	2340	5	6			
	2350	3	8			
	2360	1	10			
	2370		10	1		
	2380		8	3		
	2390		6	5		
	2400		4	7		
	2410		2	9		
	2420			11		
	2430			9	2	
	2440			7	4	
	2450			5	6	
	2460			3	8	
	2470			1	10	
2480				10	1	
2490				8	3	
2500				6	5	
2510				4	7	
11 treads 12 risers	2520	12			2	9
	2530	10	2			11
	2540	8	4			
	2550	6	6			
	2560	4	8			
	2570	2	10			
	2580		12			
	2590		10	2		
	2600		8	4		
	2610		6	6		
	2620		4	8		
	2630		2	10		
	2640			12		
	2650			10	2	
	2660			8	4	
	2670			6	6	
	2680			4	8	
2690			2	10		
2700				12		
2710				10	2	
2720				8	4	
12 treads 13 risers	2730	13			6	6
	2740	11	2		4	8
	2750	9	4		2	10
	2760	7	6			12
	2770	5	8			
	2780	3	10			
	2790	1	12			
	2800		12	1		
	2810		10	3		
	2820		8	5		
	2830		6	7		
	2840		4	9		
	2850		2	11		
	2860			13		
	2870			11	2	
	2880			9	4	
	2890			7	6	
2900			5	8		
2910			3	10		
2920			1	12		
2930				12	1	
2940	2940	14			10	3
	2950	12	2		8	5
	2960	10	4		6	7
	2970	8	6		4	9
	2980	6	8		2	11
	2990	4	10			13

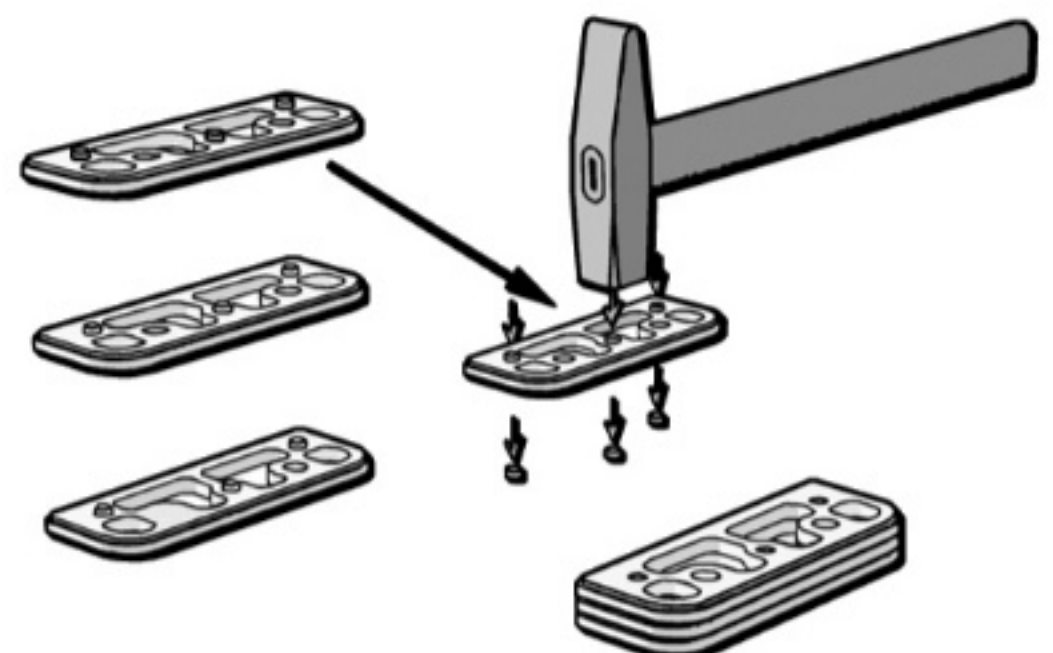
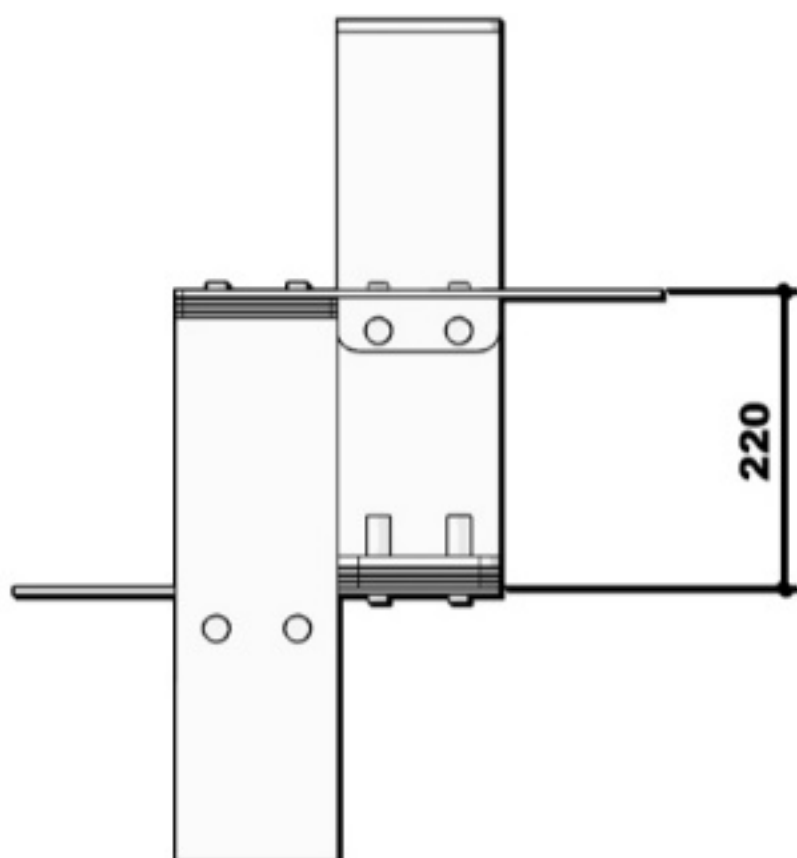
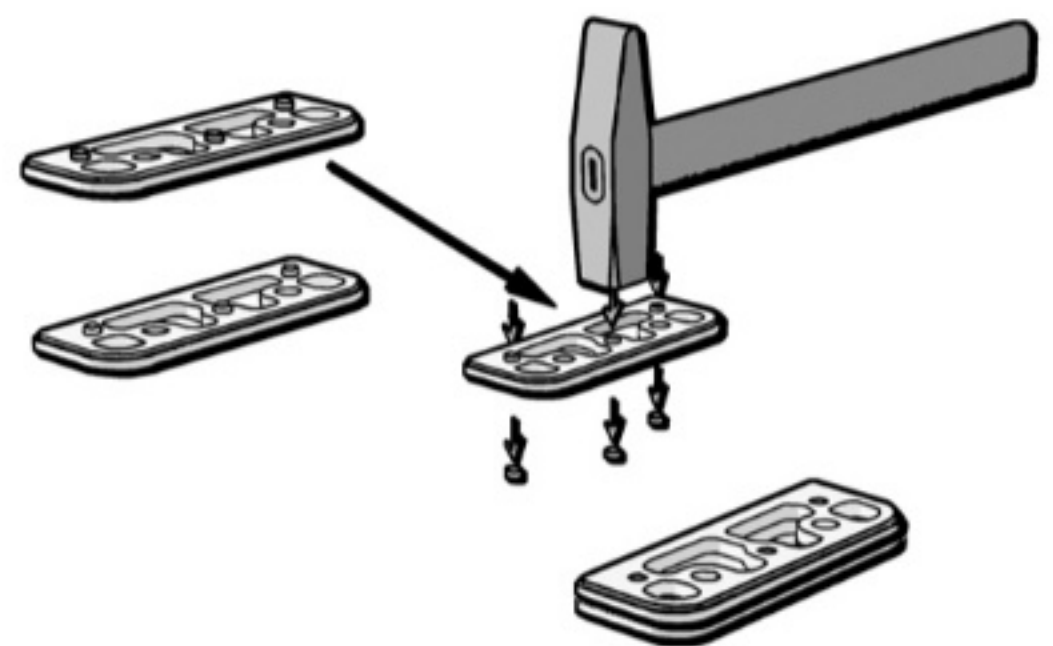
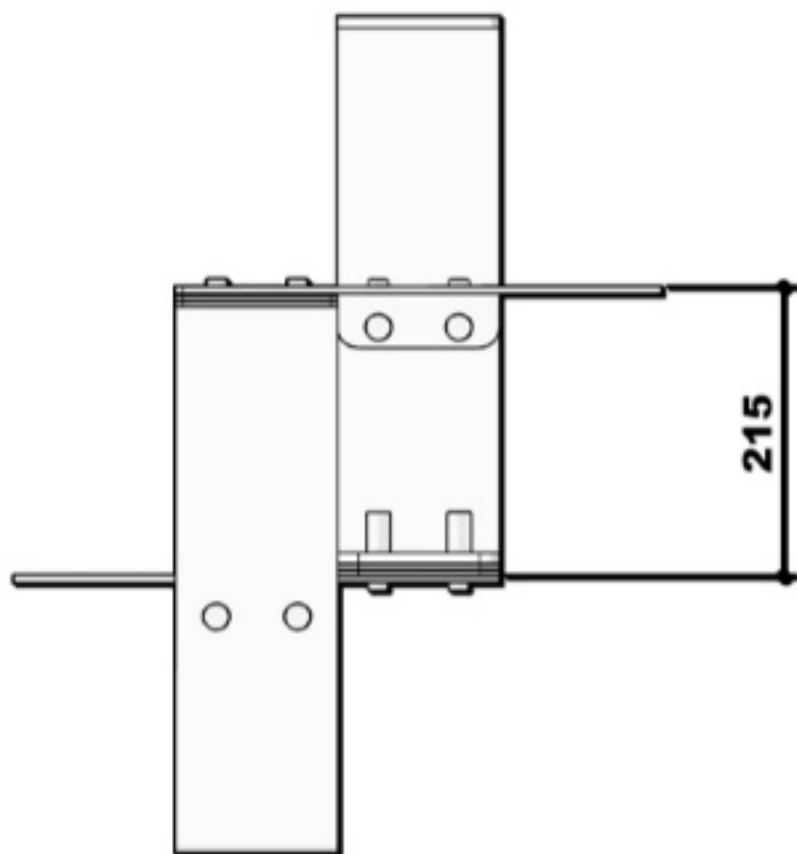
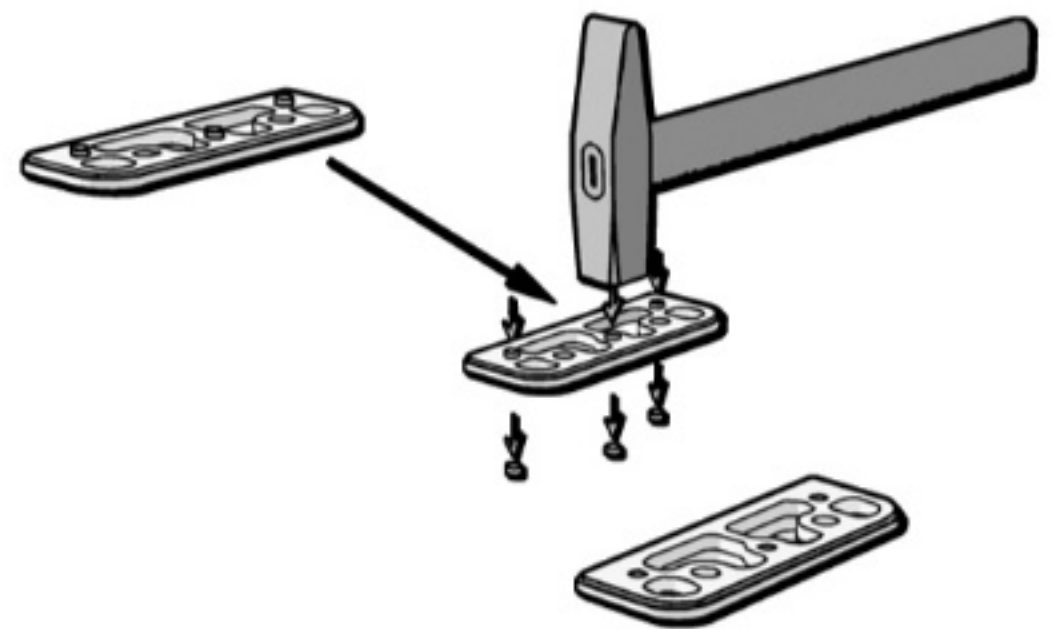
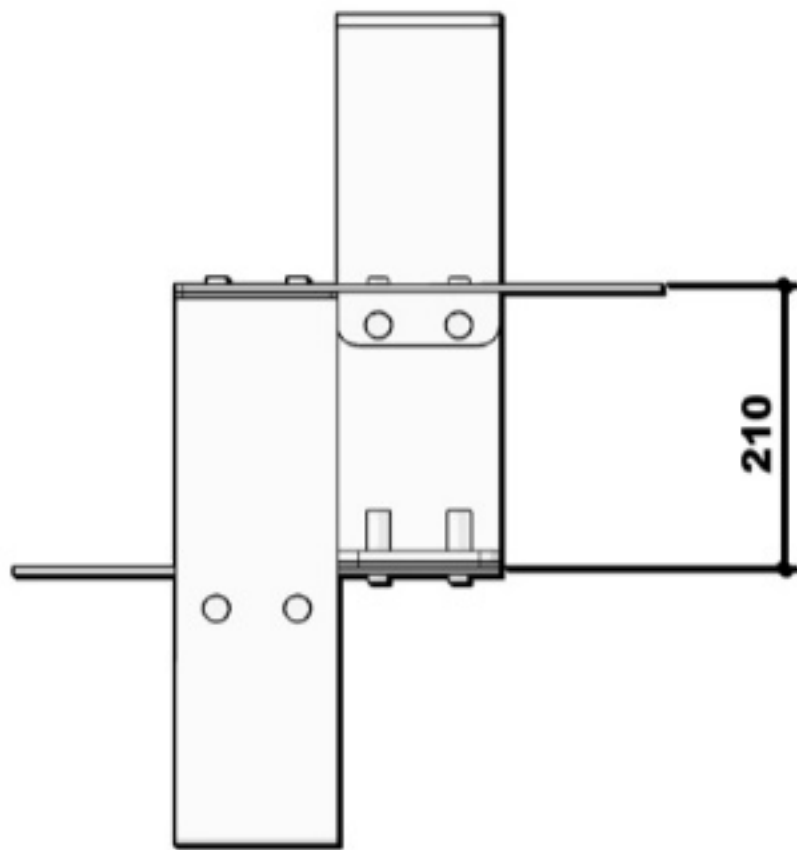
T20	Total height HT	Risers HEIGHT				
		210	215	220	225	230
12 treads 13 risers	2730	13			6	6
	2740	11	2		4	8
	2750	9	4		2	10
	2760	7	6			12
	2770	5	8			
	2780	3	10			
	2790	1	12			
	2800		12	1		
	2810		10	3		
	2820		8	5		
	2830		6	7		
	2840		4	9		
	2850		2	11		
	2860			13		
	2870			11	2	
	2880			9	4	
	2890			7	6	
2900			5	8		
2910			3	10		
2920			1	12		
2930				12	1	
13 treads 14 risers	2940	14			10	3
	2950	12	2		8	5
	2960	10	4		6	7
	2970	8	6		4	9
	2980	6	8		2	11
	2990	4	10			13
	3000	2	12			
	3010		14			
	3020		12	2		
	3030		10	4		
	3040		8	6		
	3050		6	8		
	3060		4	10		
	3070		2	12		
	3080			14		
	3090			12	2	
	3100			10	4	
3110			8	6		
3120			6	8		
3130			4	10		
3140			2	12		
13+1 tread 15 risers	3150	15			14	
	3160	13	2		12	2
	3170	11	4		10	4
	3180	9	6		8	6
	3190	7	8		6	8
	3200	5	10		4	10
	3210	3	12		2	12
	3220	1	14			14
	3230		14	1		
	3240			3		
	3250			5		
	3260			7		
	3270			9		
	3280			11		
	3290			13		
	3300			15		
	3310			13	2	
3320			11	4		
3330			9	6		
3340			7	8		
3350			5	10		
3360	3360	16		3	12	
	3370	14	2	1	14	
	3380	12	4		14	1
	3390	10	6		12	3
	3400	8	8		10	5
	3410	6	10		8	7

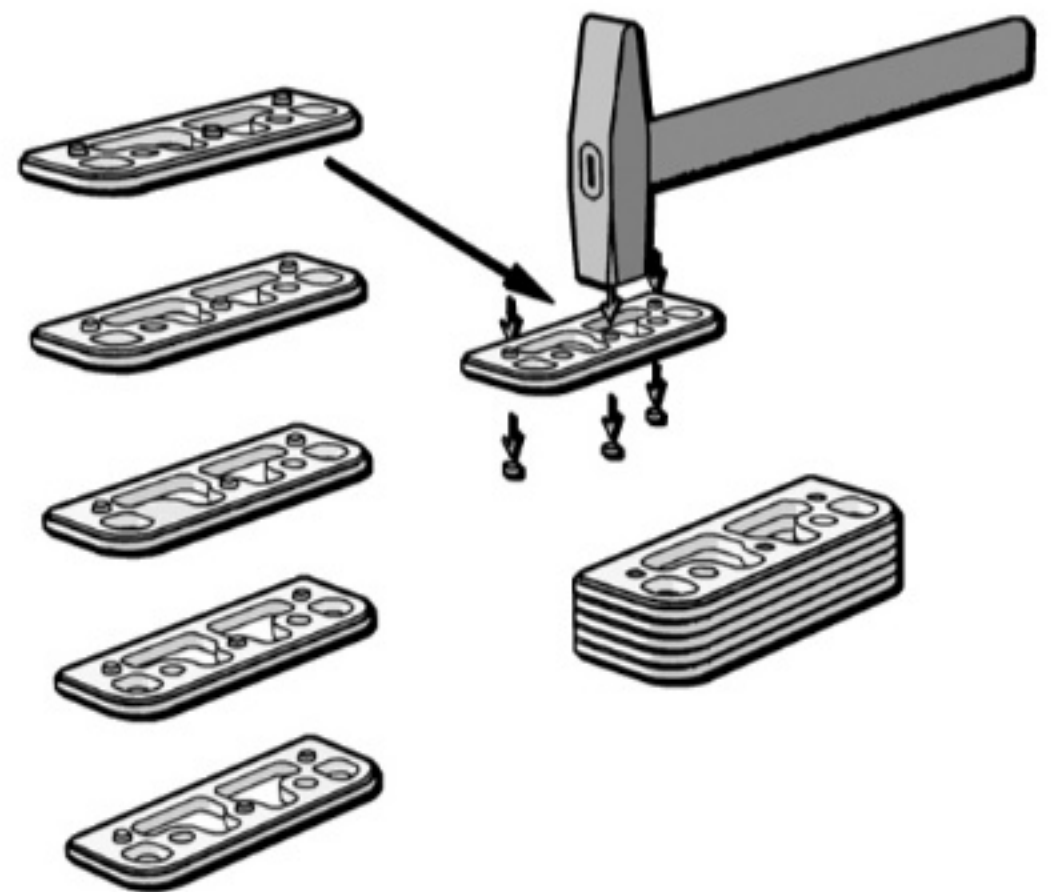
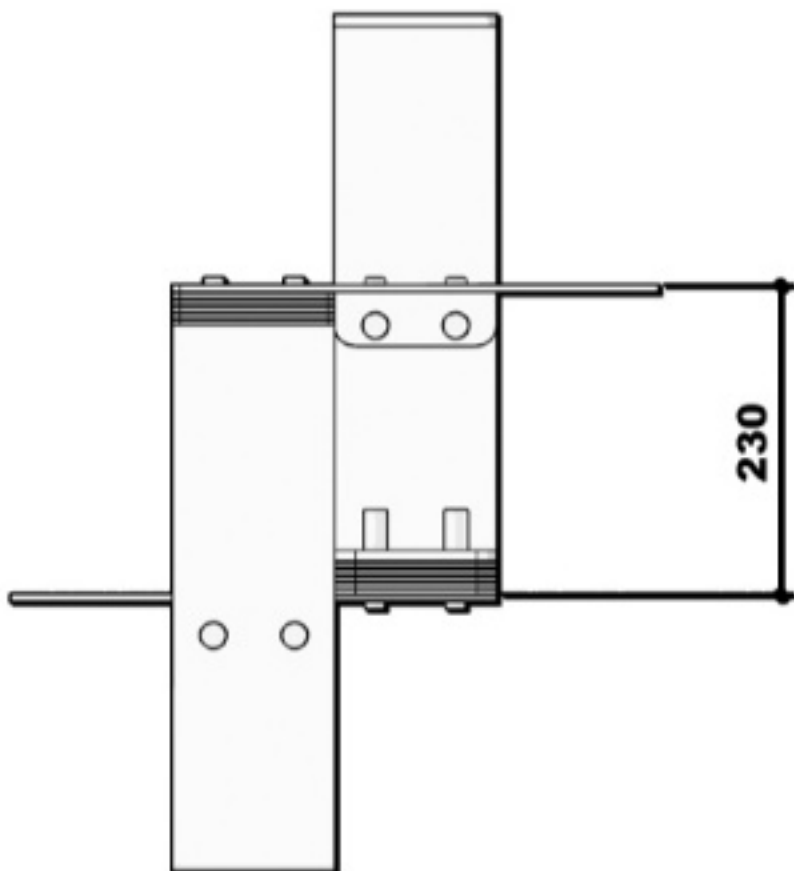
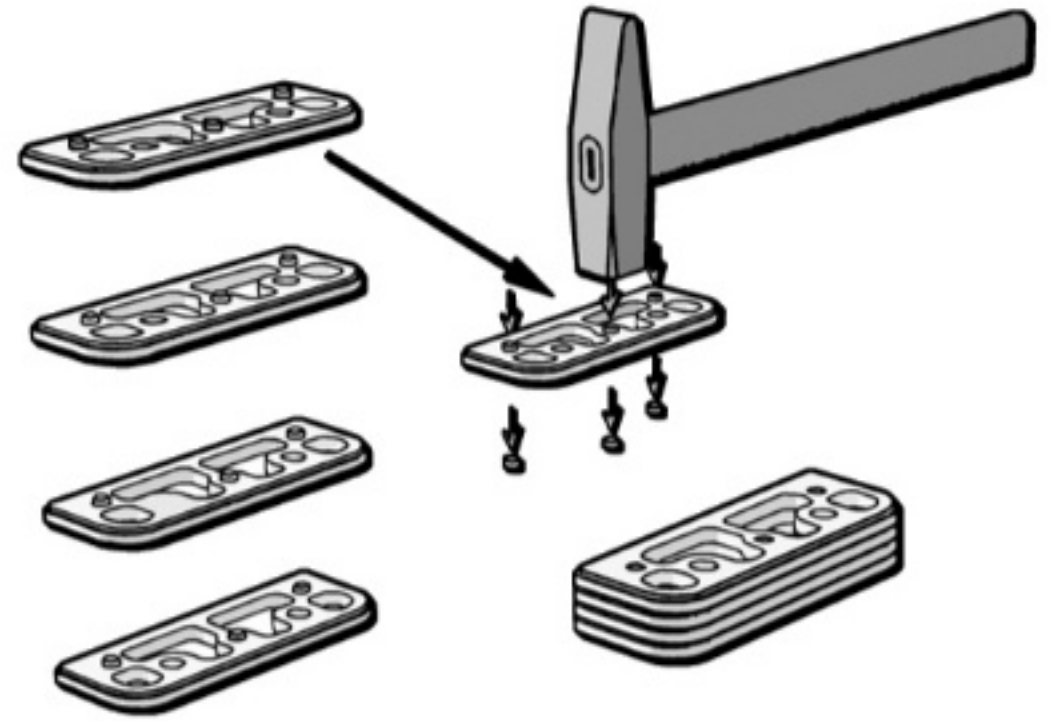
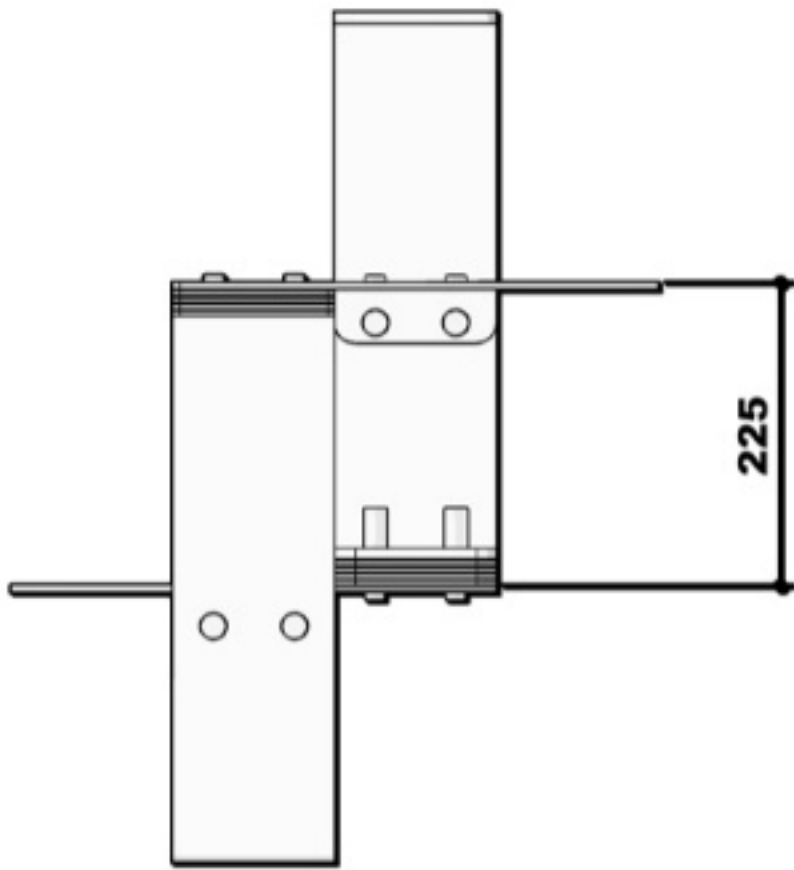
T20	Total height HT	Risers HEIGHT				
		210	215	220	225	230
	2520	12			2	9
	2530	10	2			11
	2540	8	4			
	2550	6	6			
	2560	4	8			
	2570	2	10			
	2580		12			
	2590		10	2		
	2600		8	4		
	2610		6	6		
	2620		4	8		
	2630		2	10		
	2640			12		
	2650			10	2	
	2660			8	4	
	2670			6	6	
	2680			4	8	
	2690			2	10	
	2700				12	
	2710				10	2
	2720				8	4
	2730	13			6	6
	2740	11	2		4	8
	2750	9	4		2	10
	2760	7	6			12

11 treads
12 risers

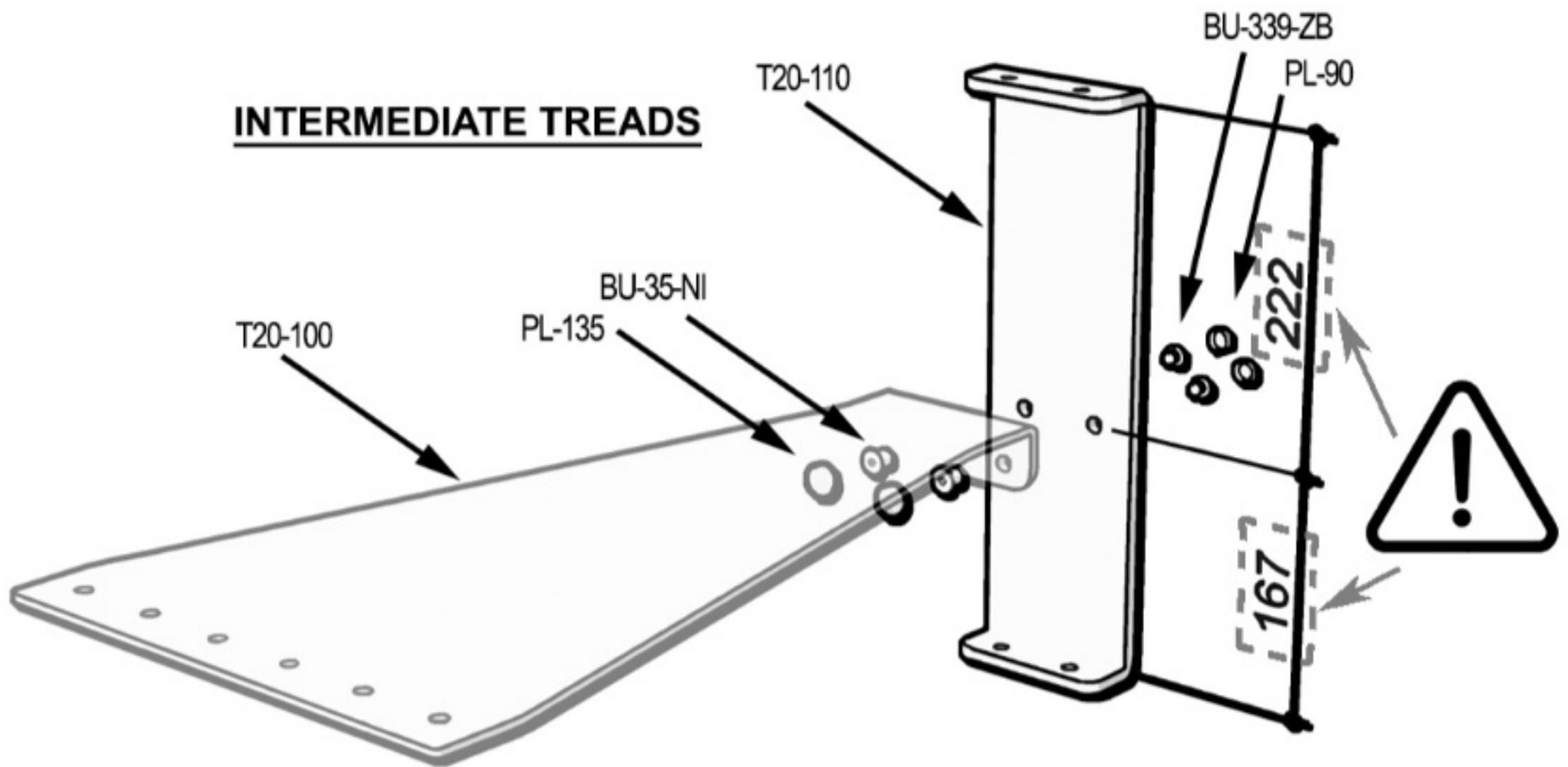
→



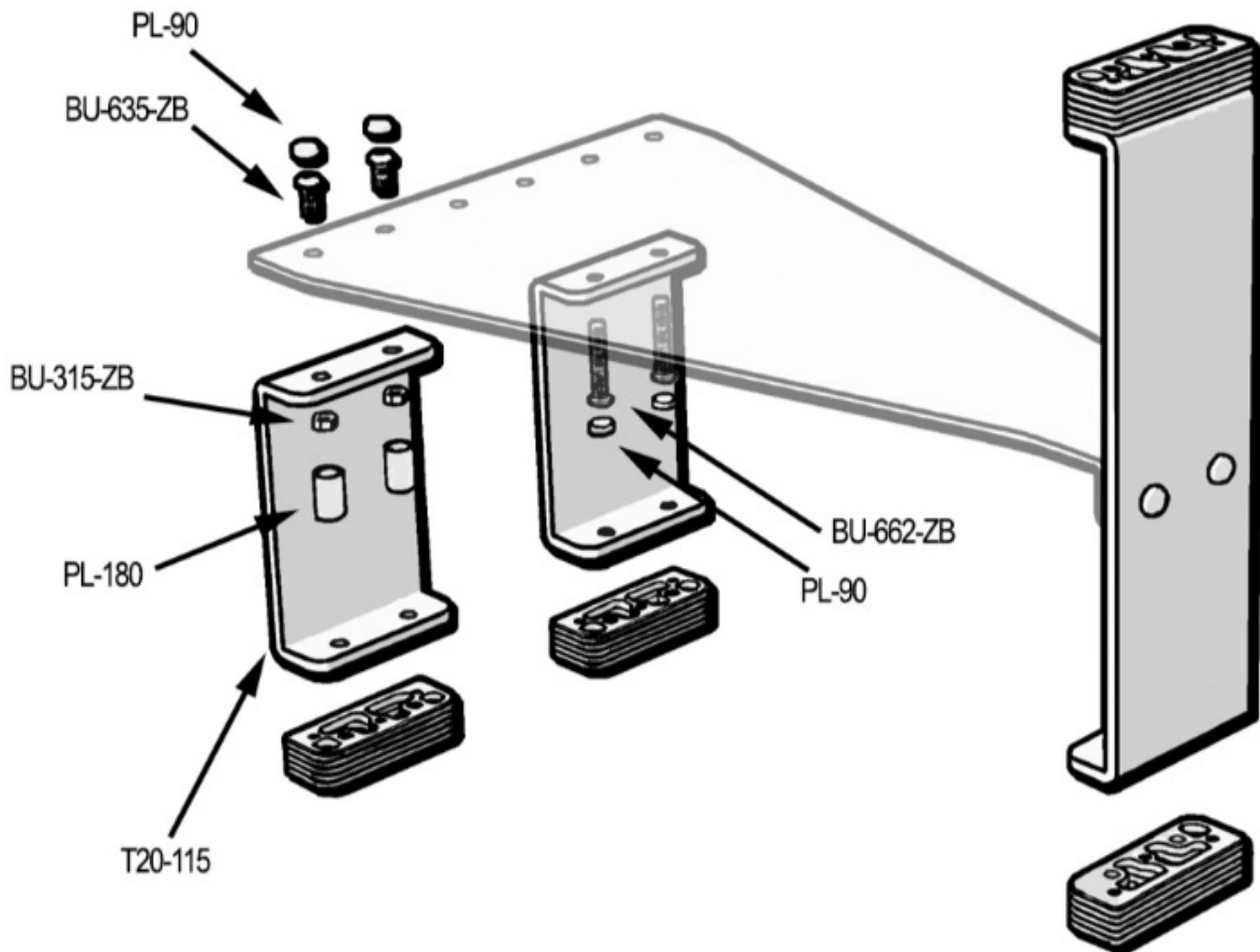


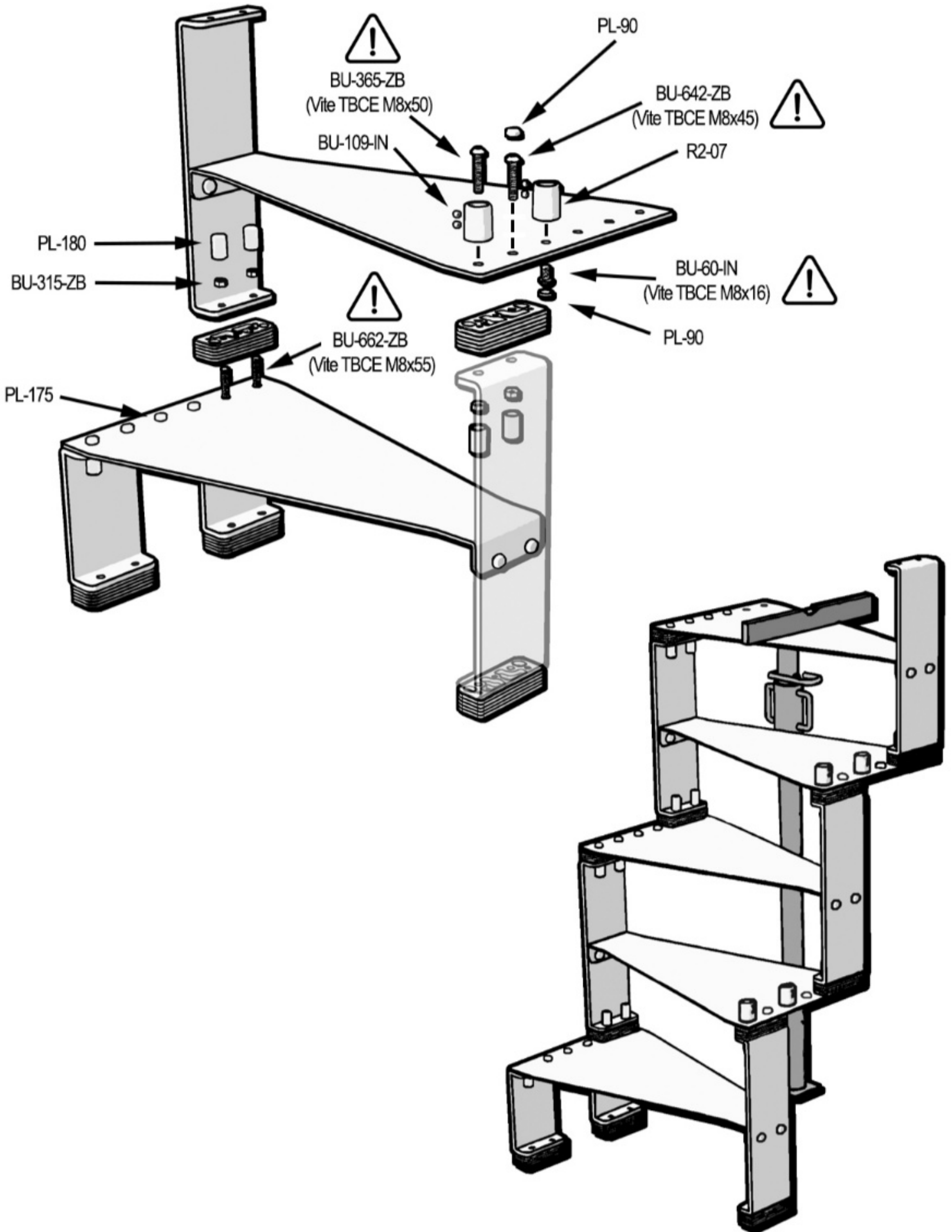


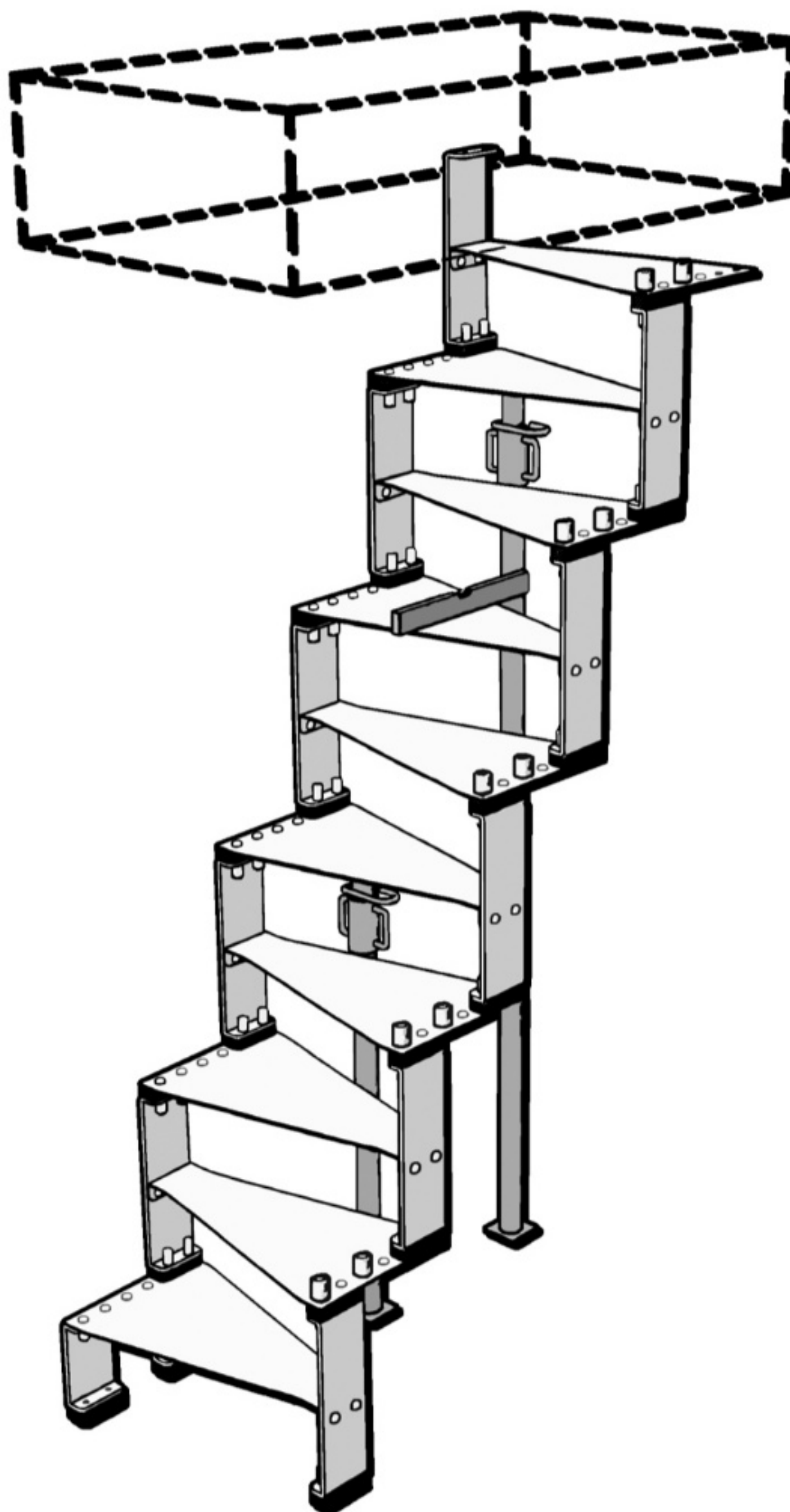
INTERMEDIATE TREADS

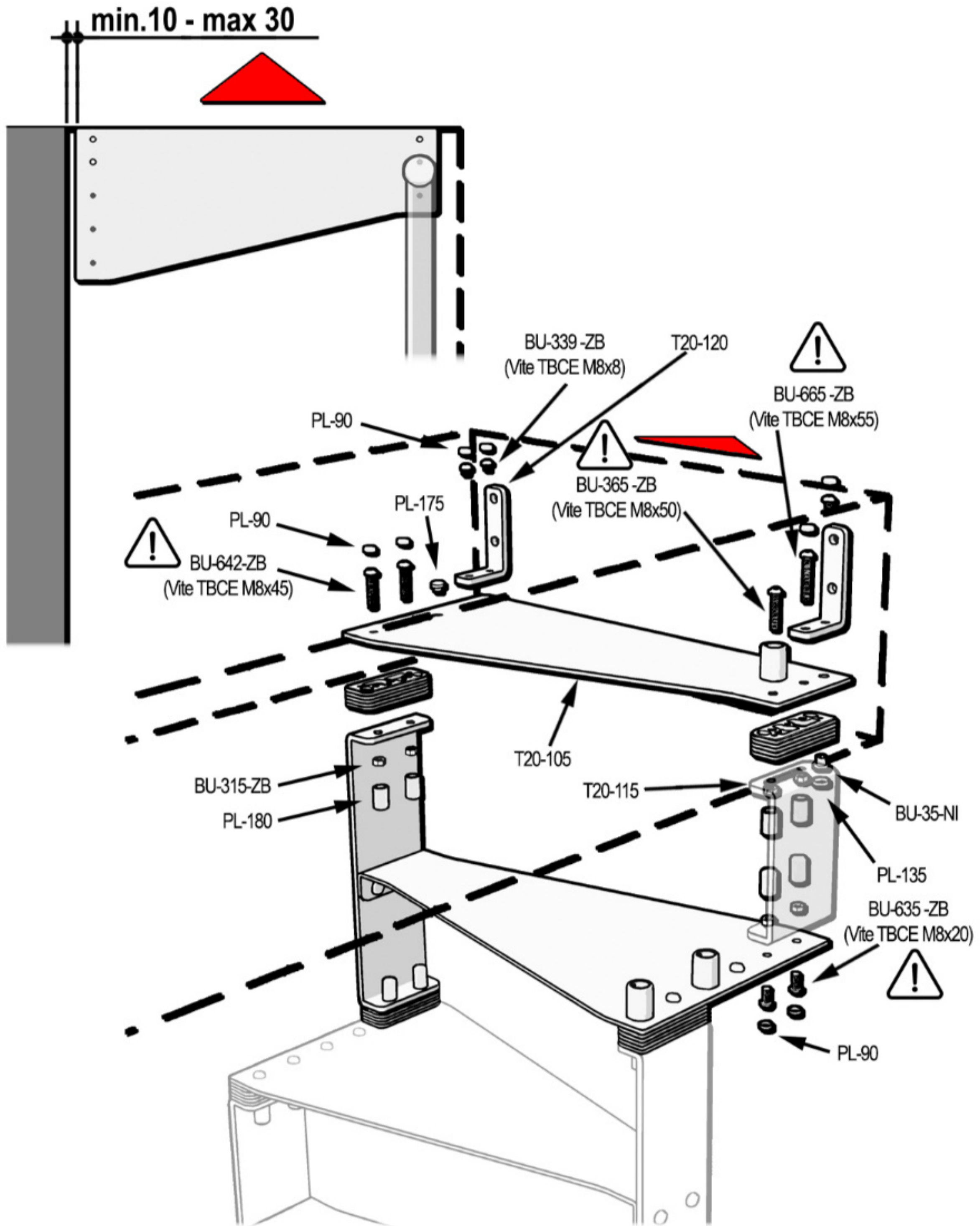


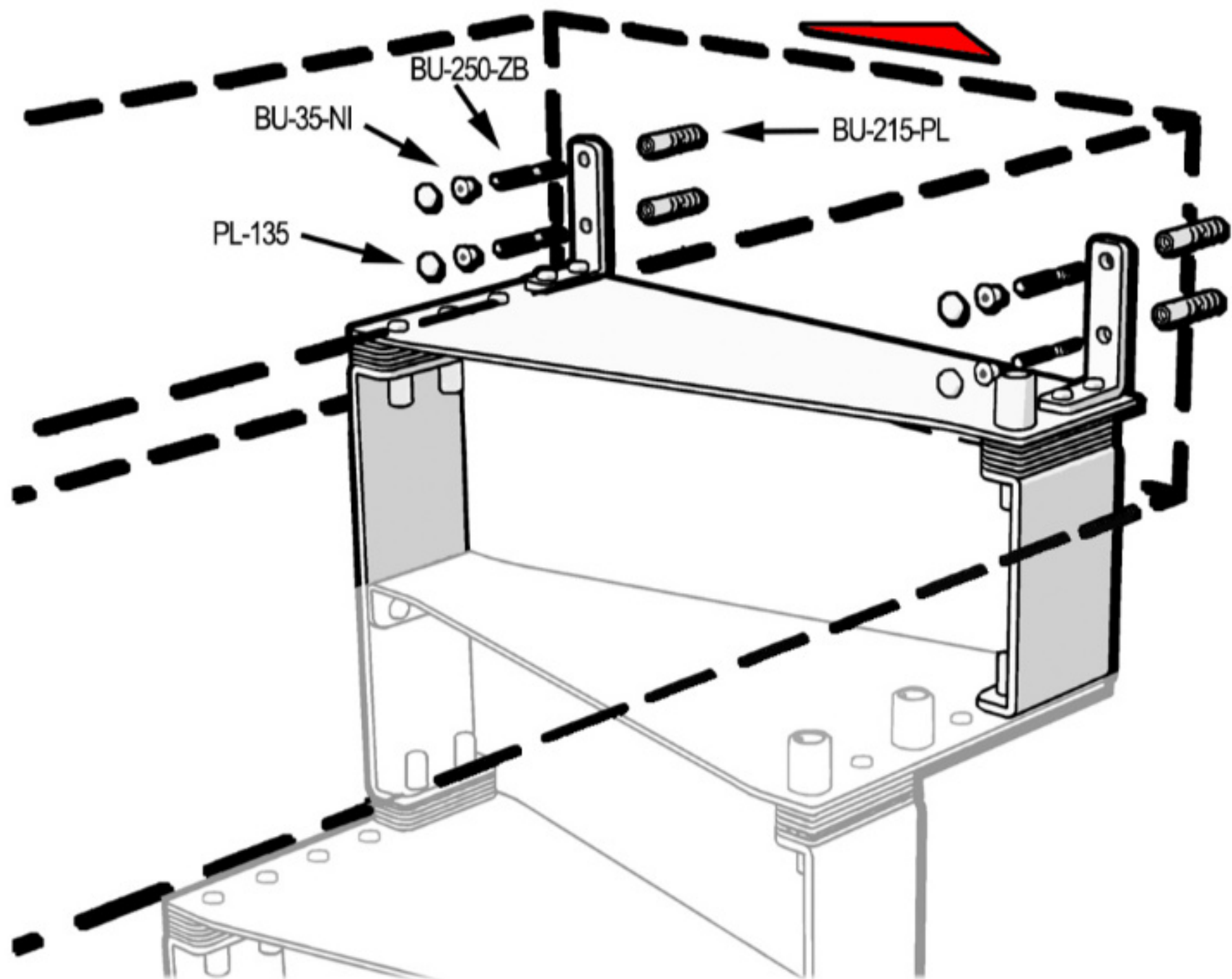
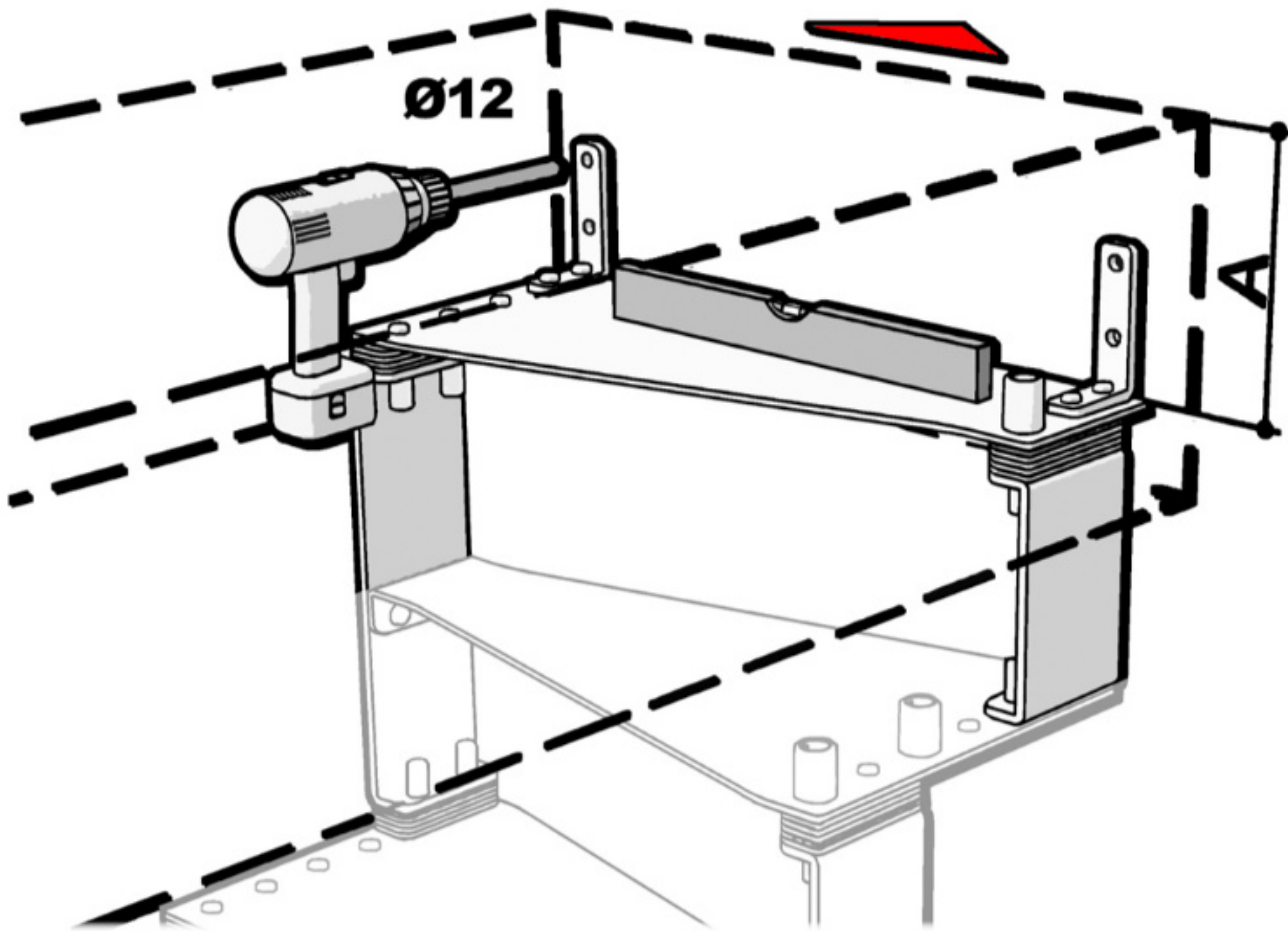
STARTING TREADS

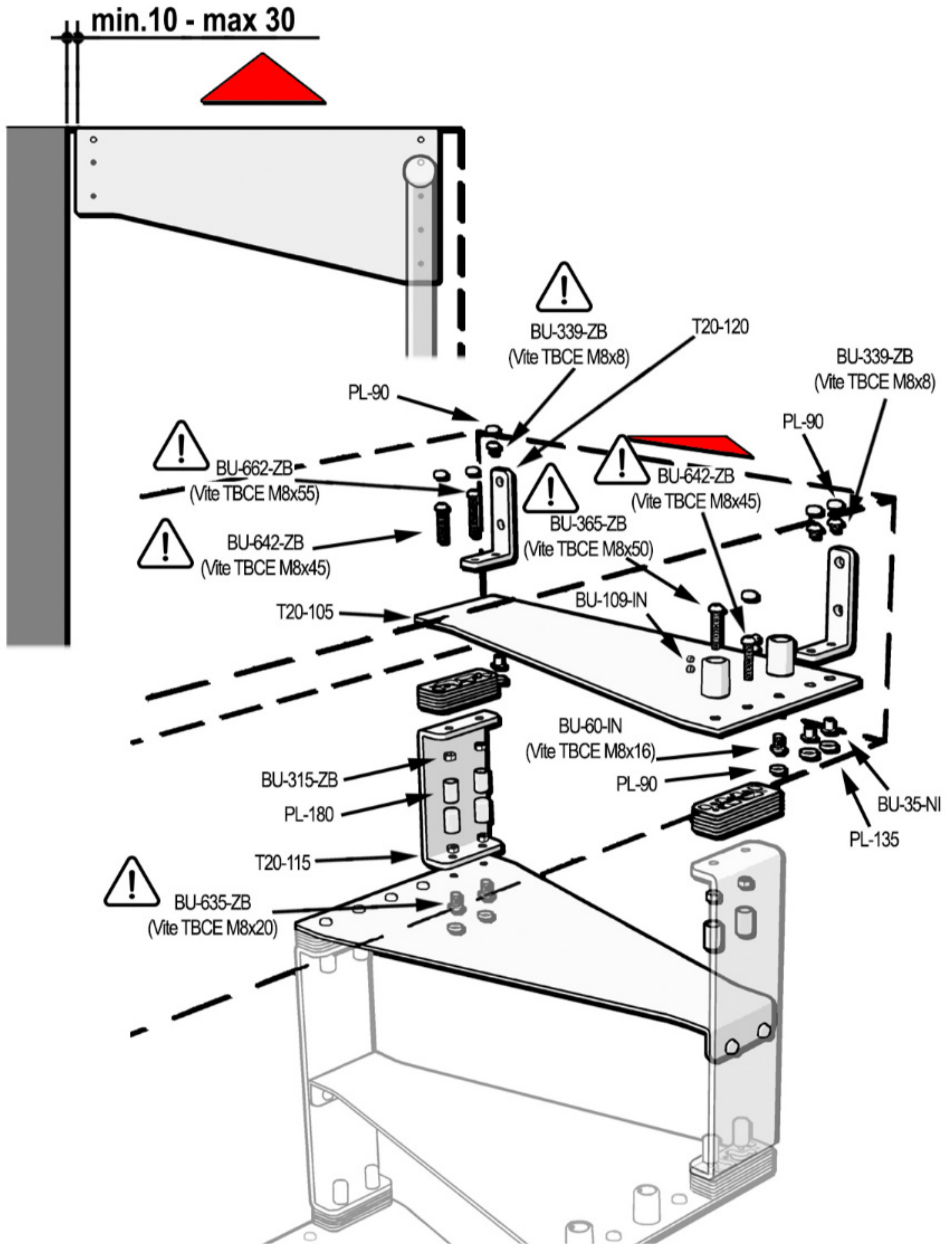


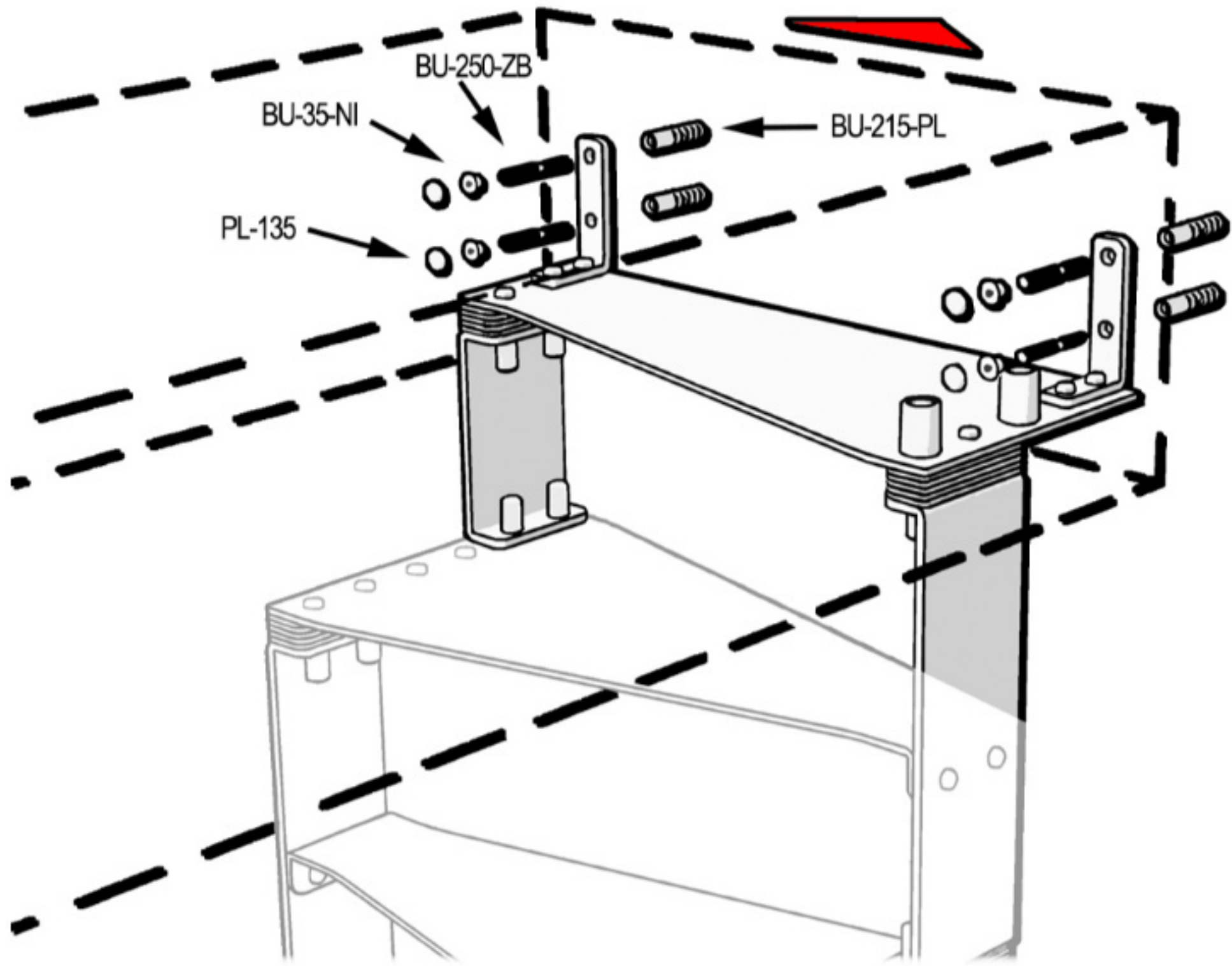
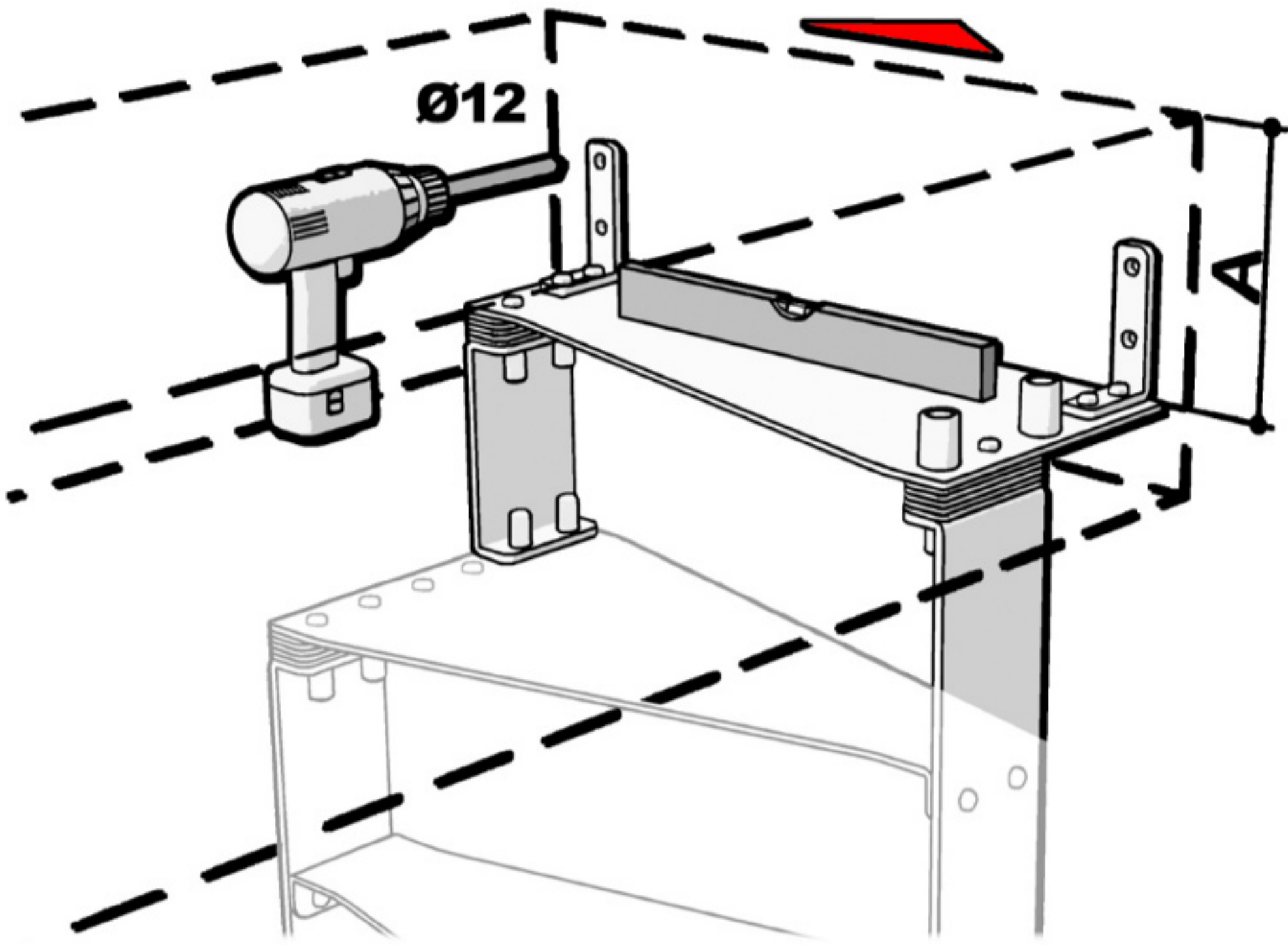


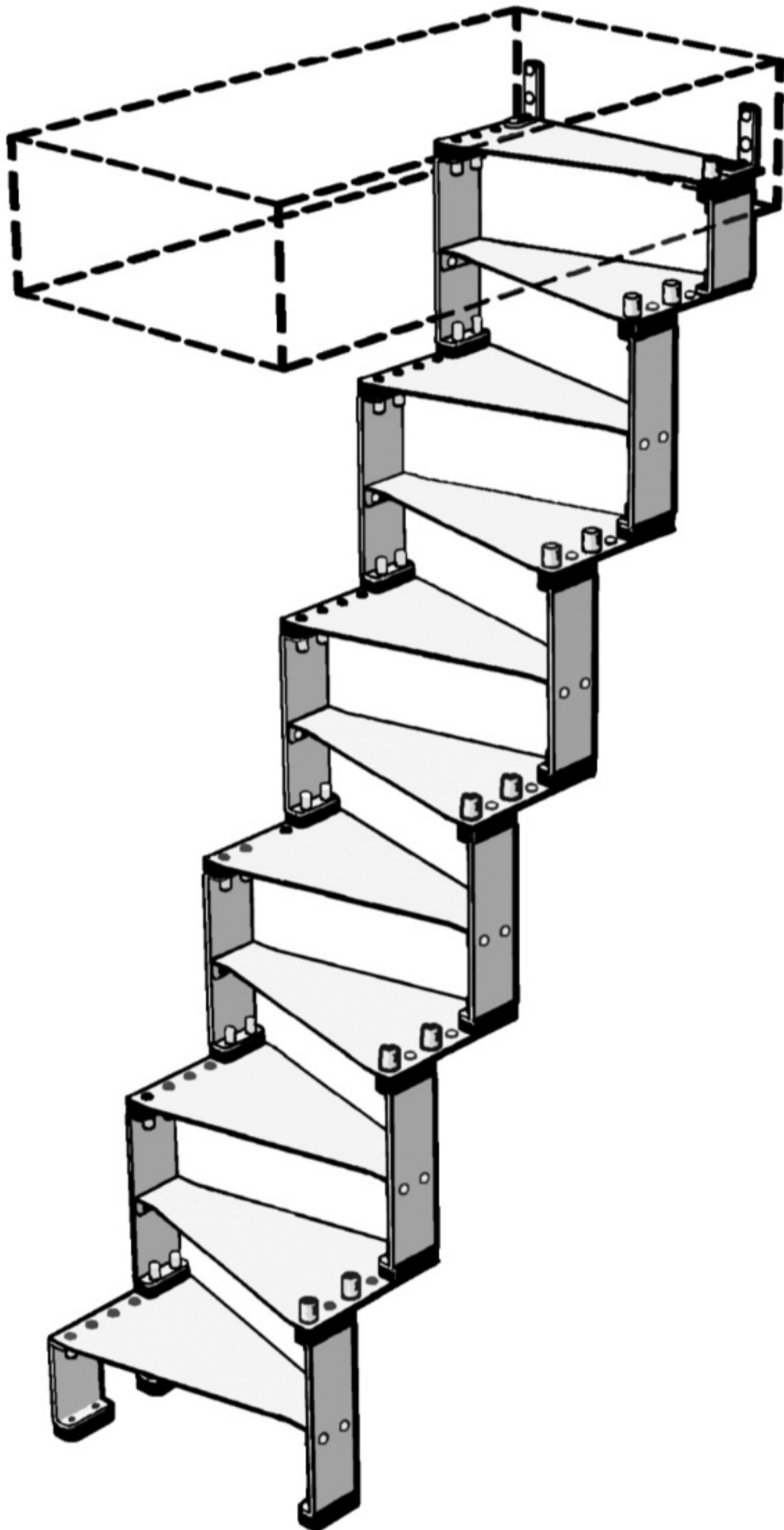


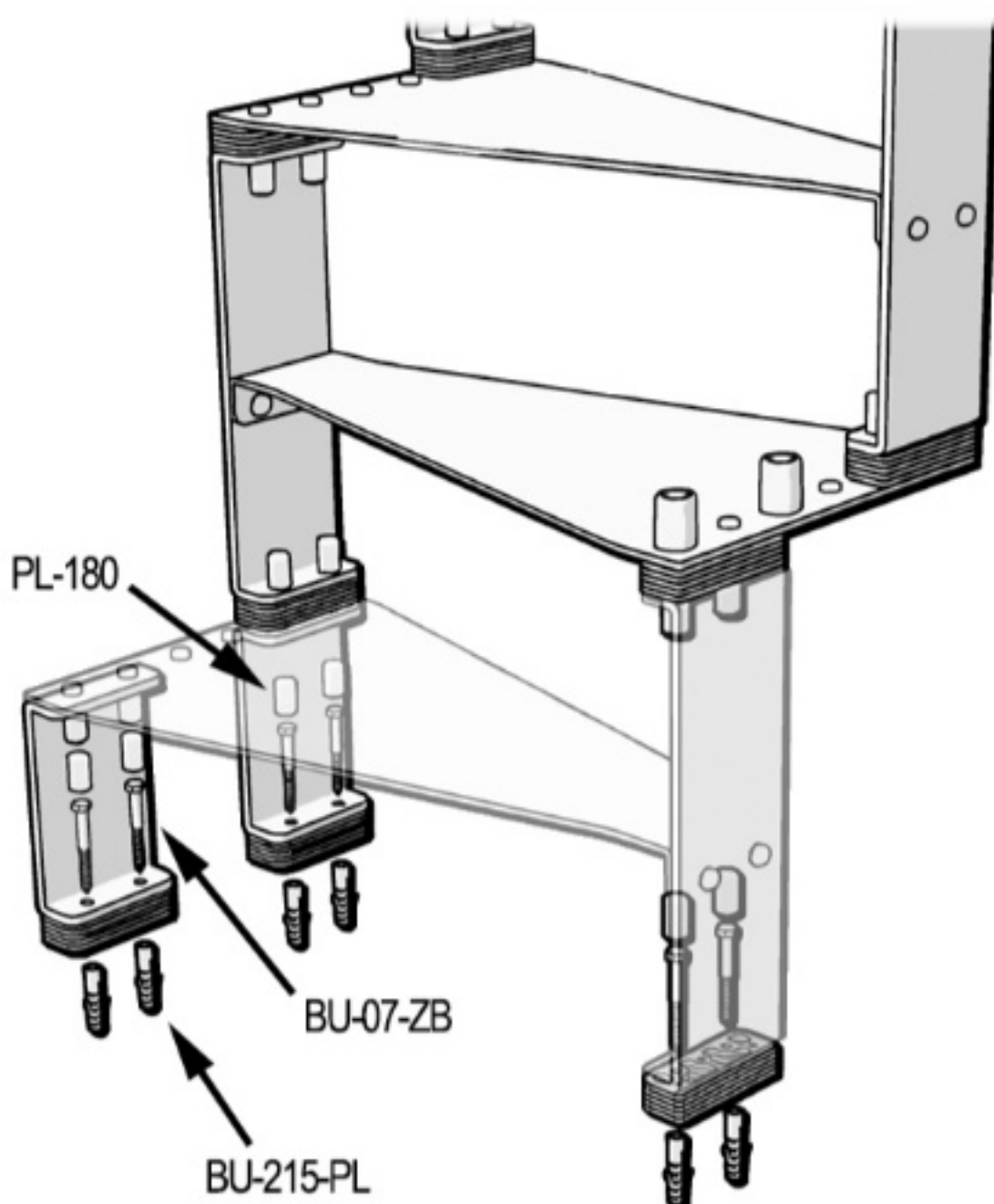
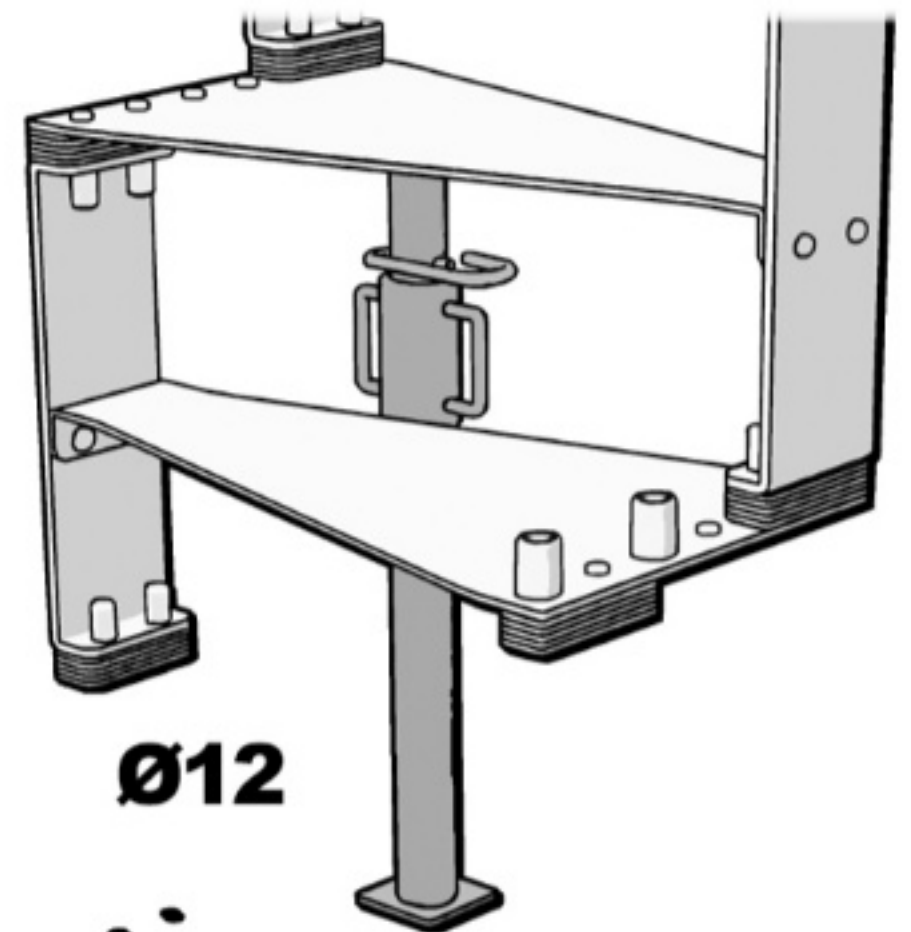
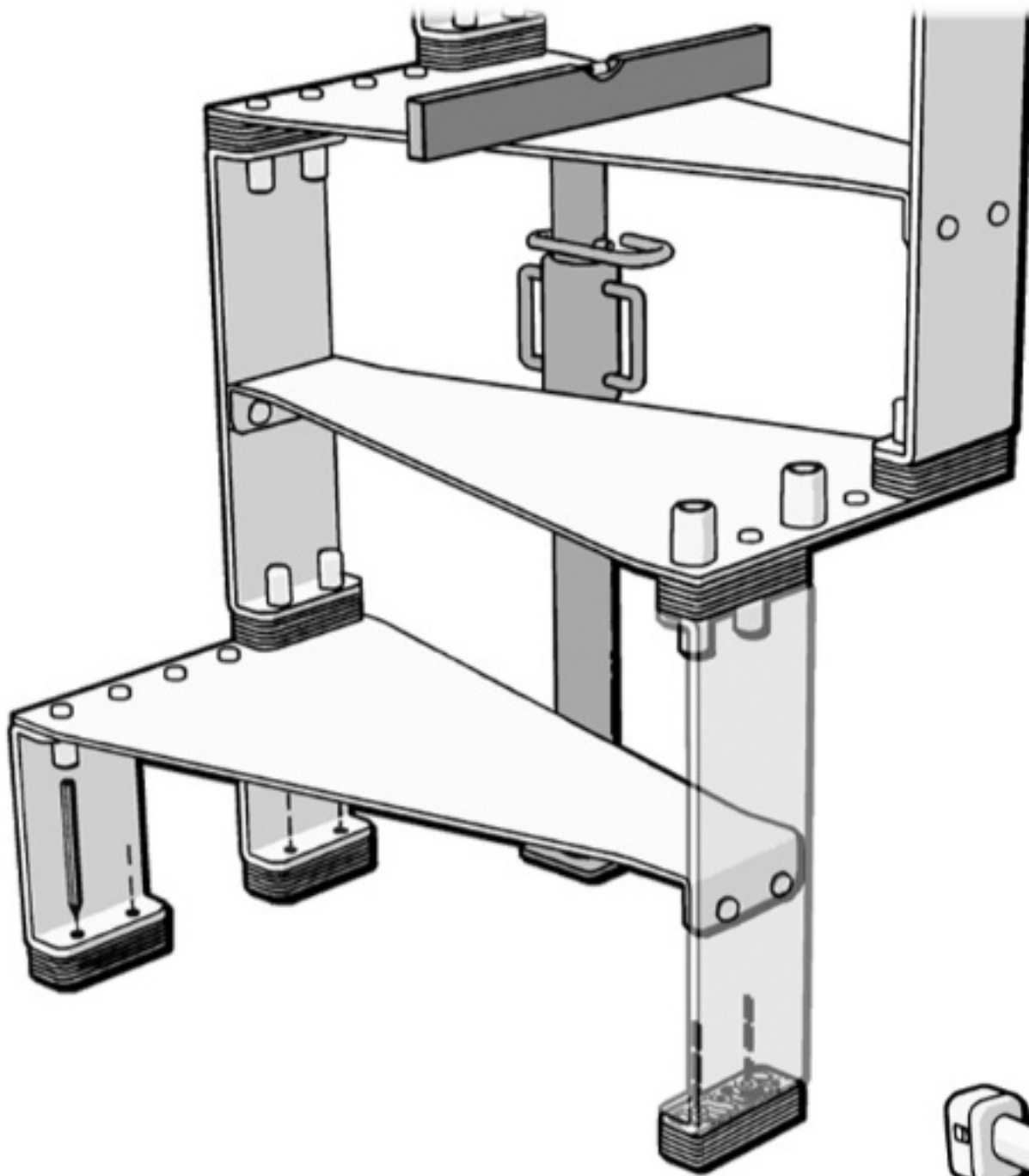


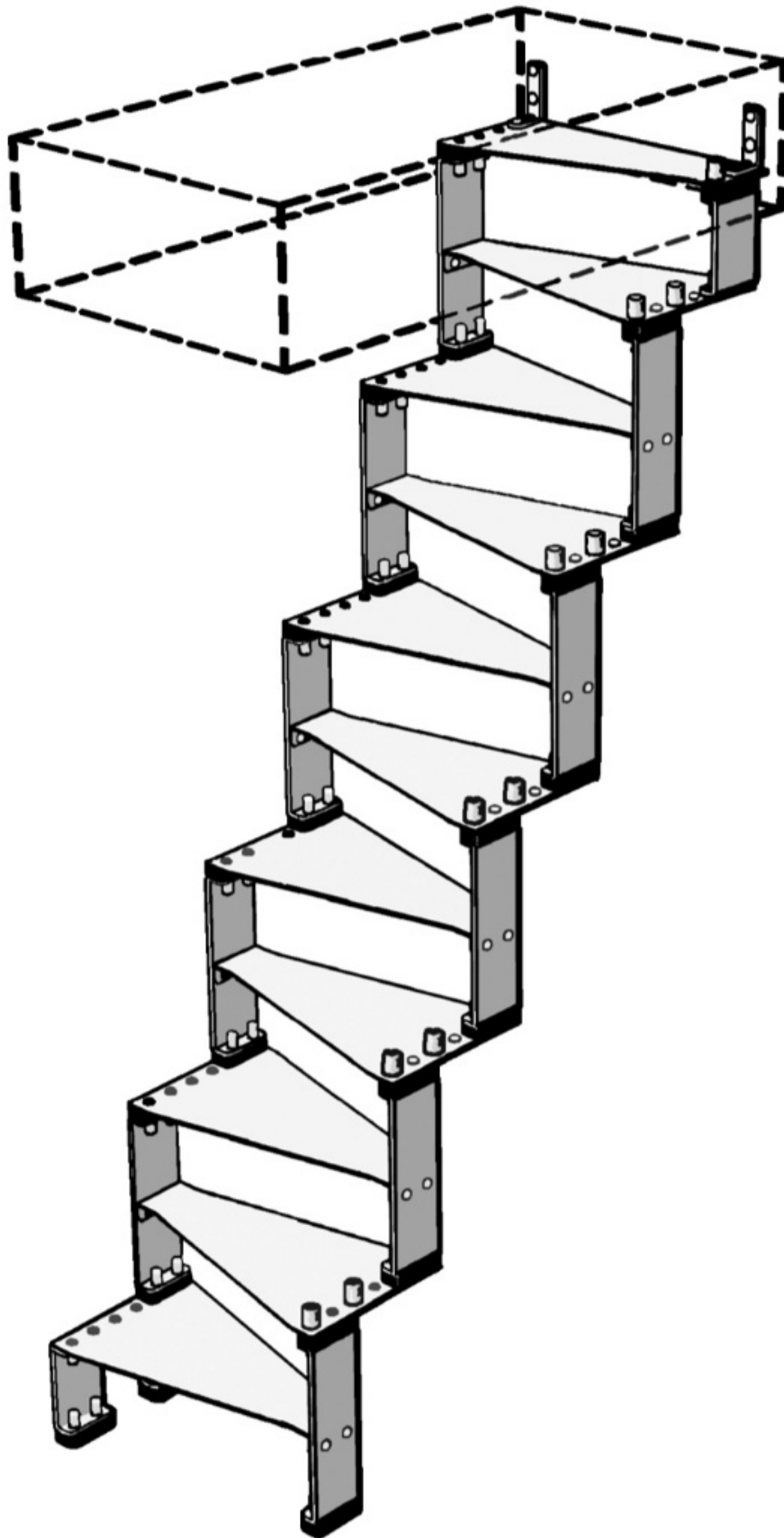


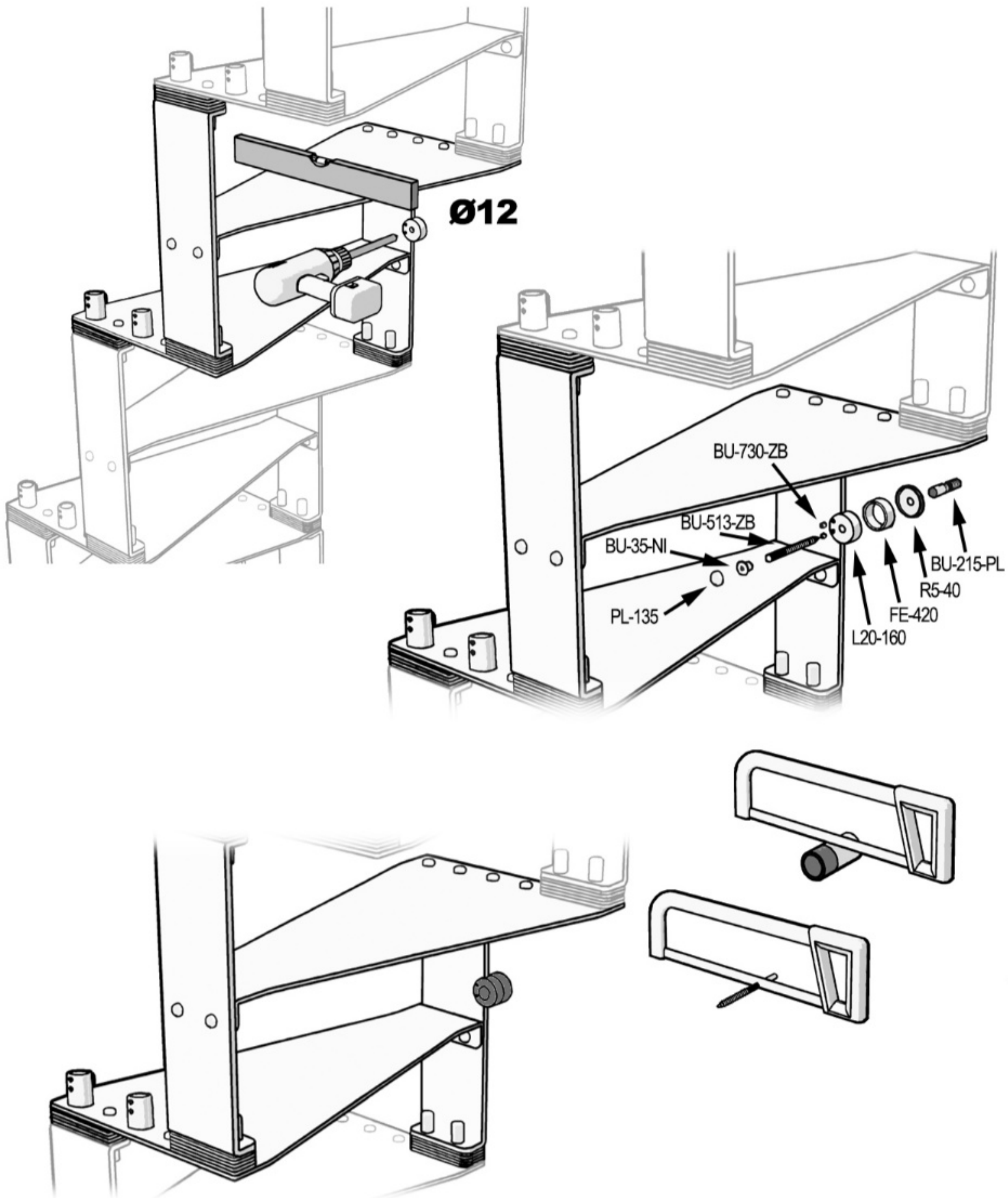


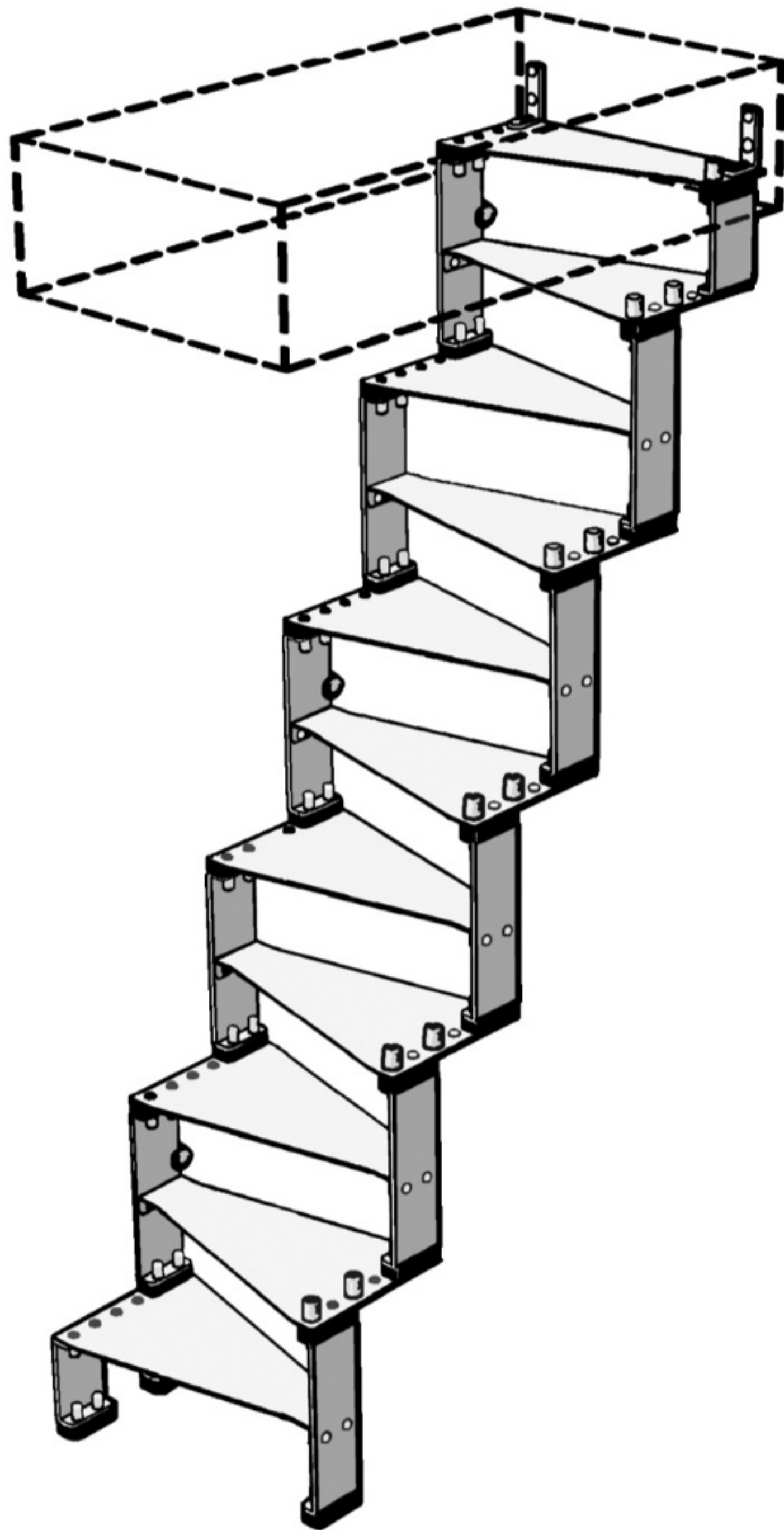








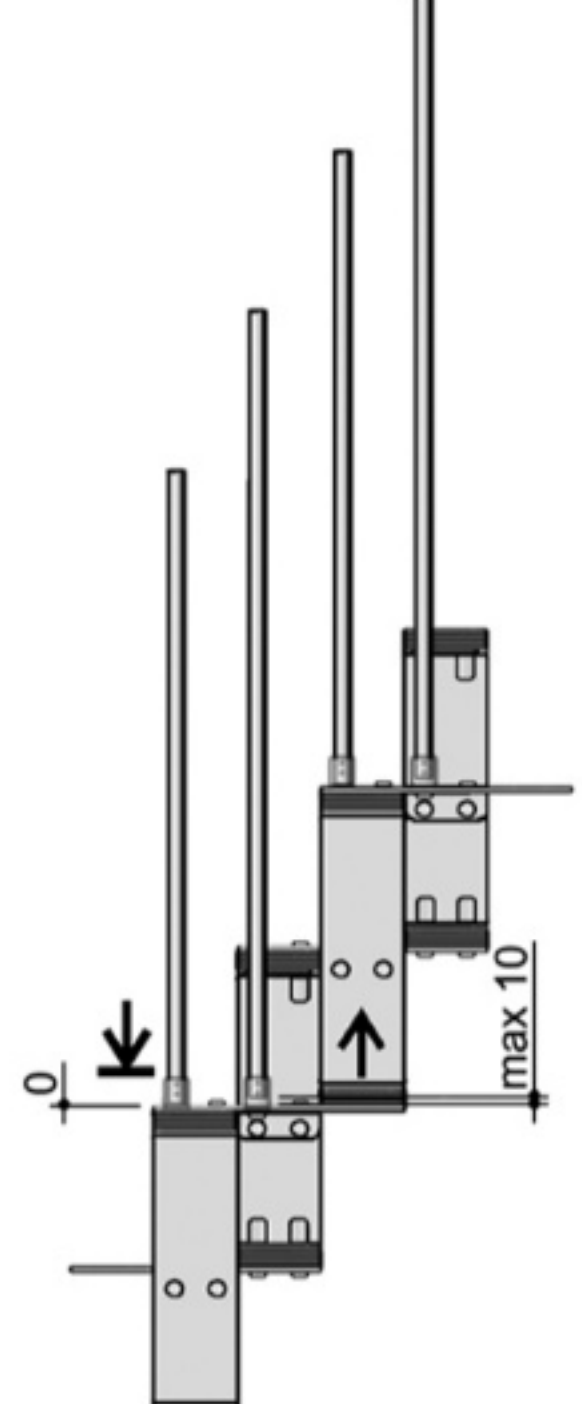
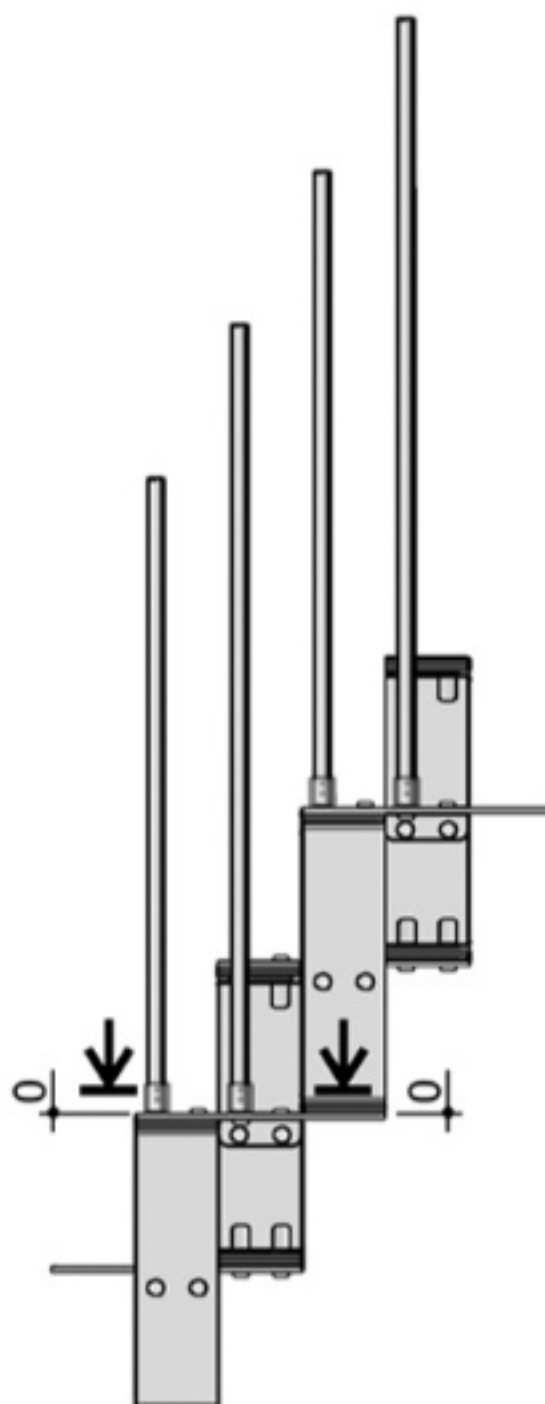
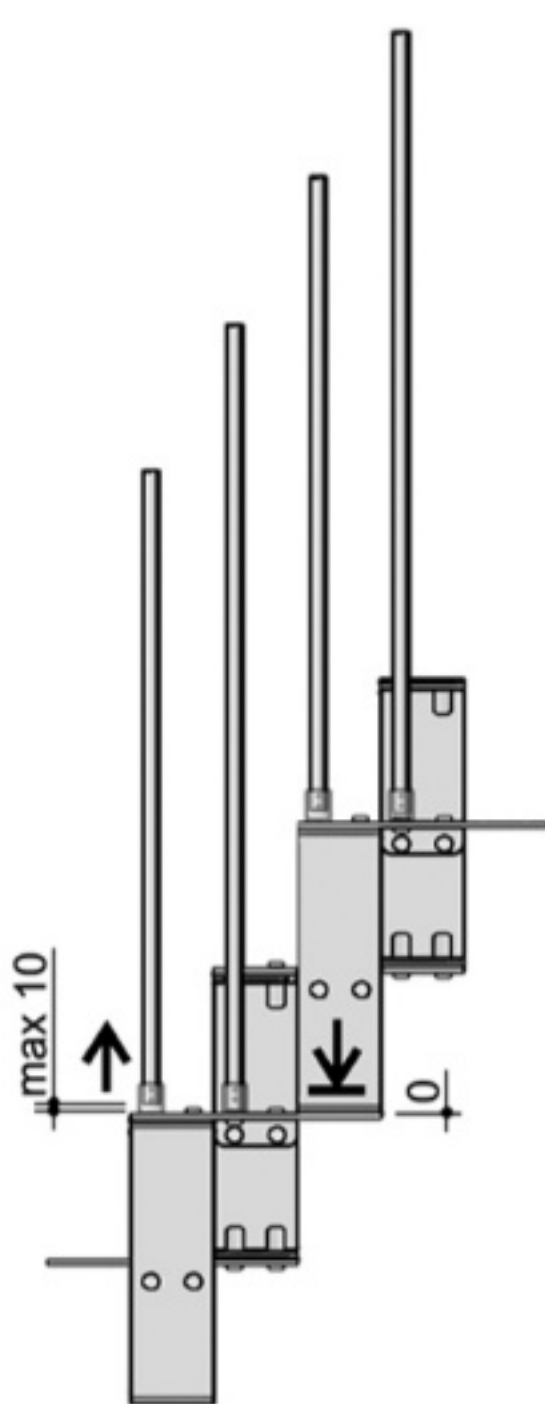
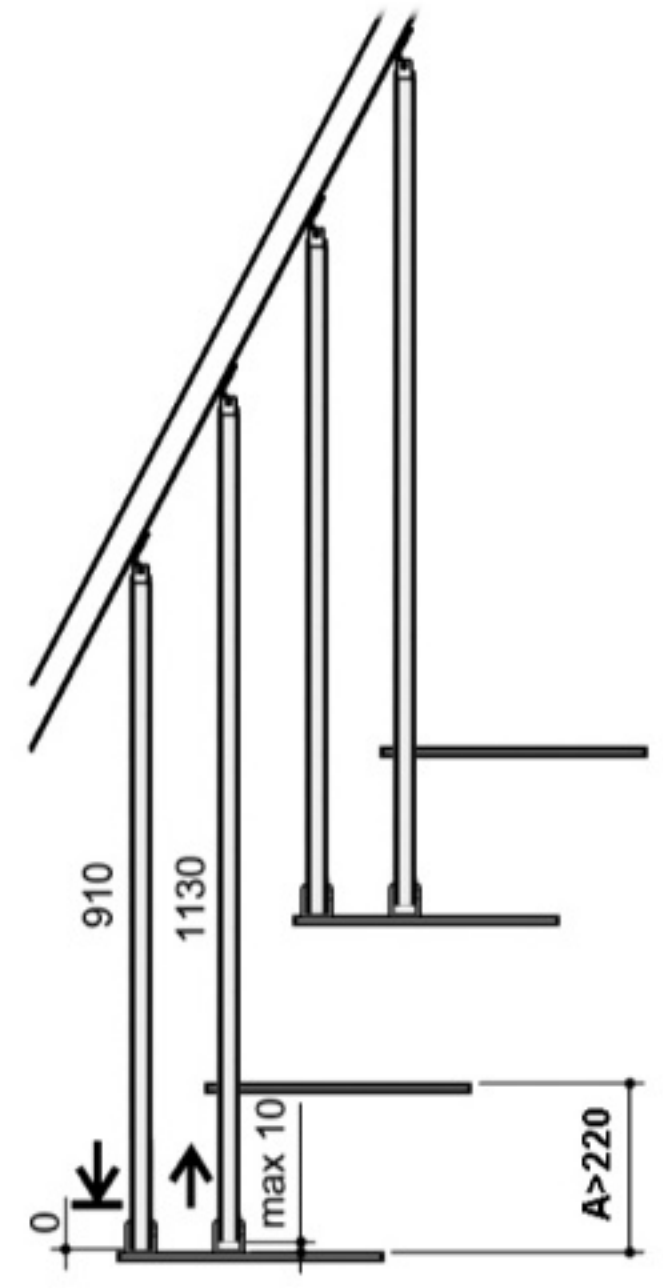
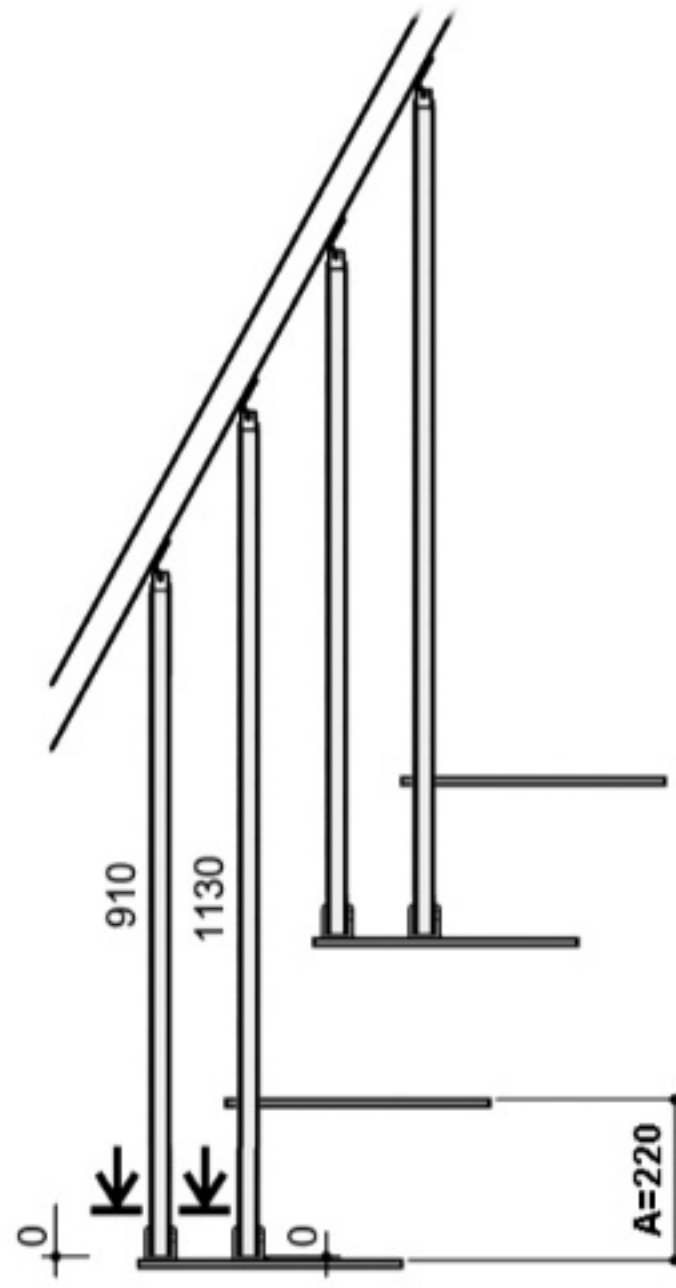
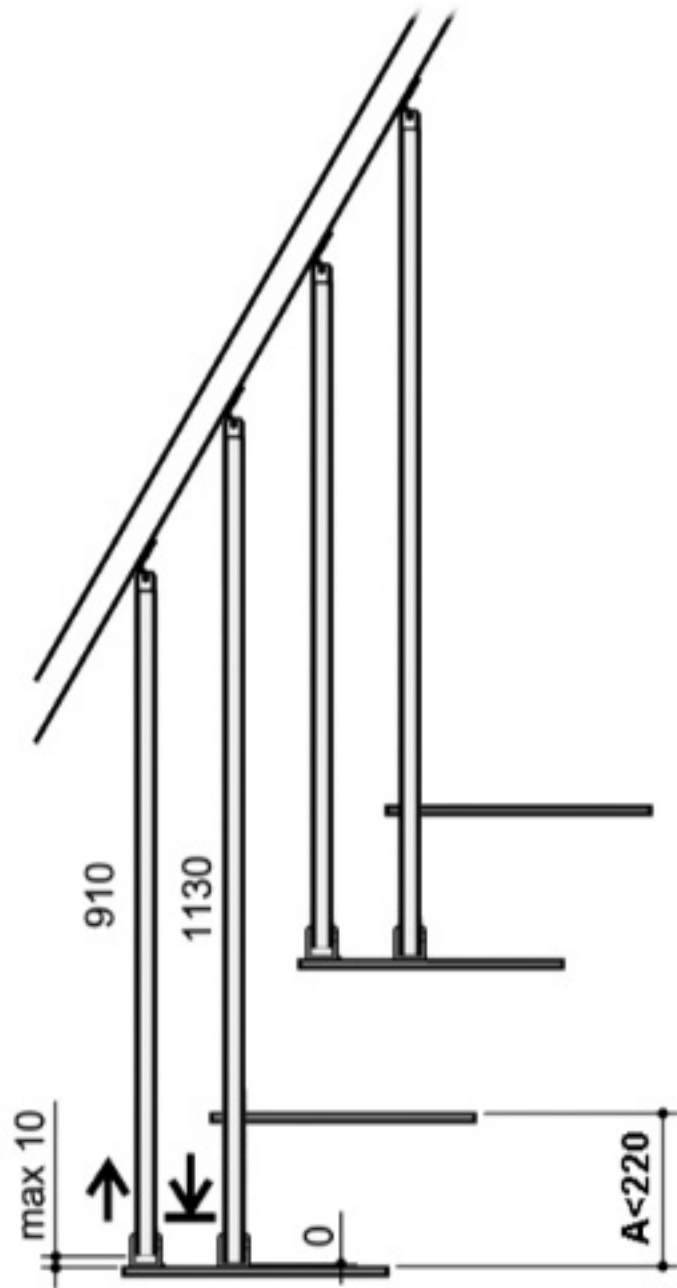


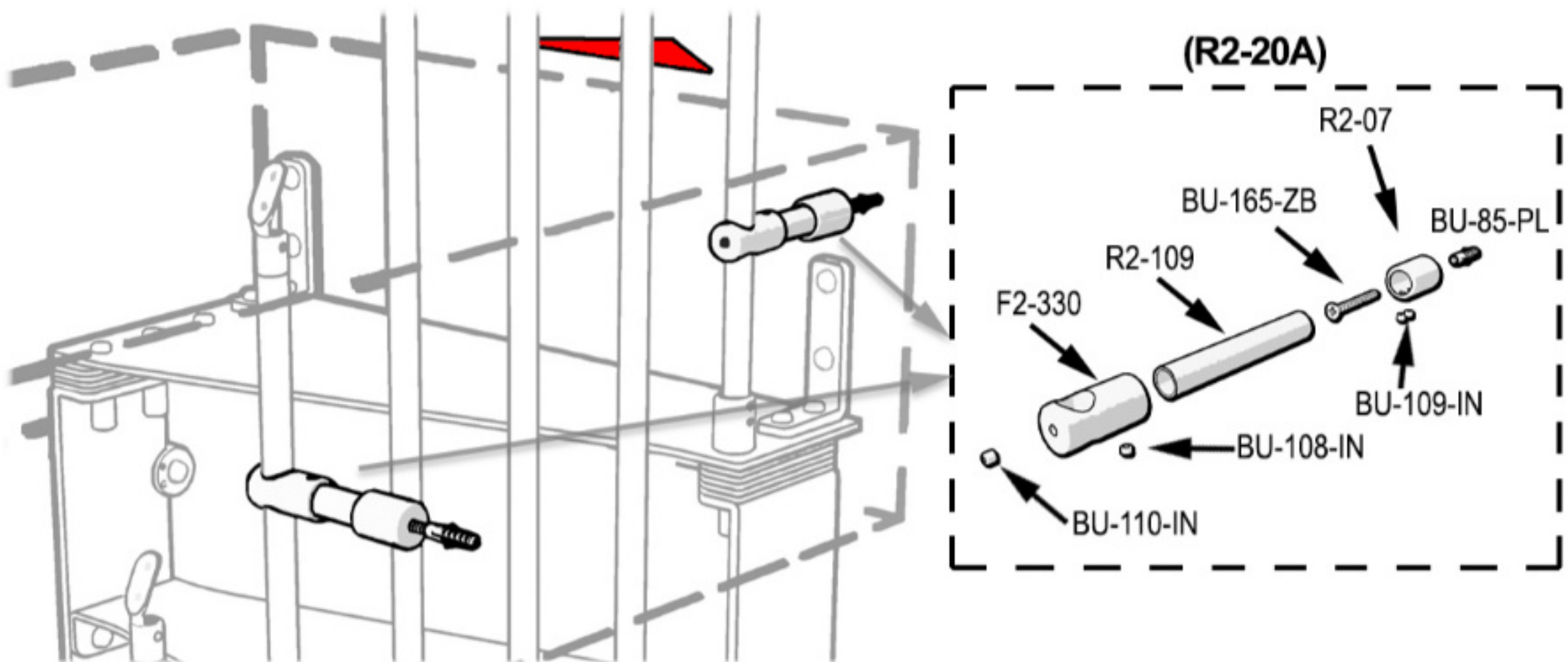
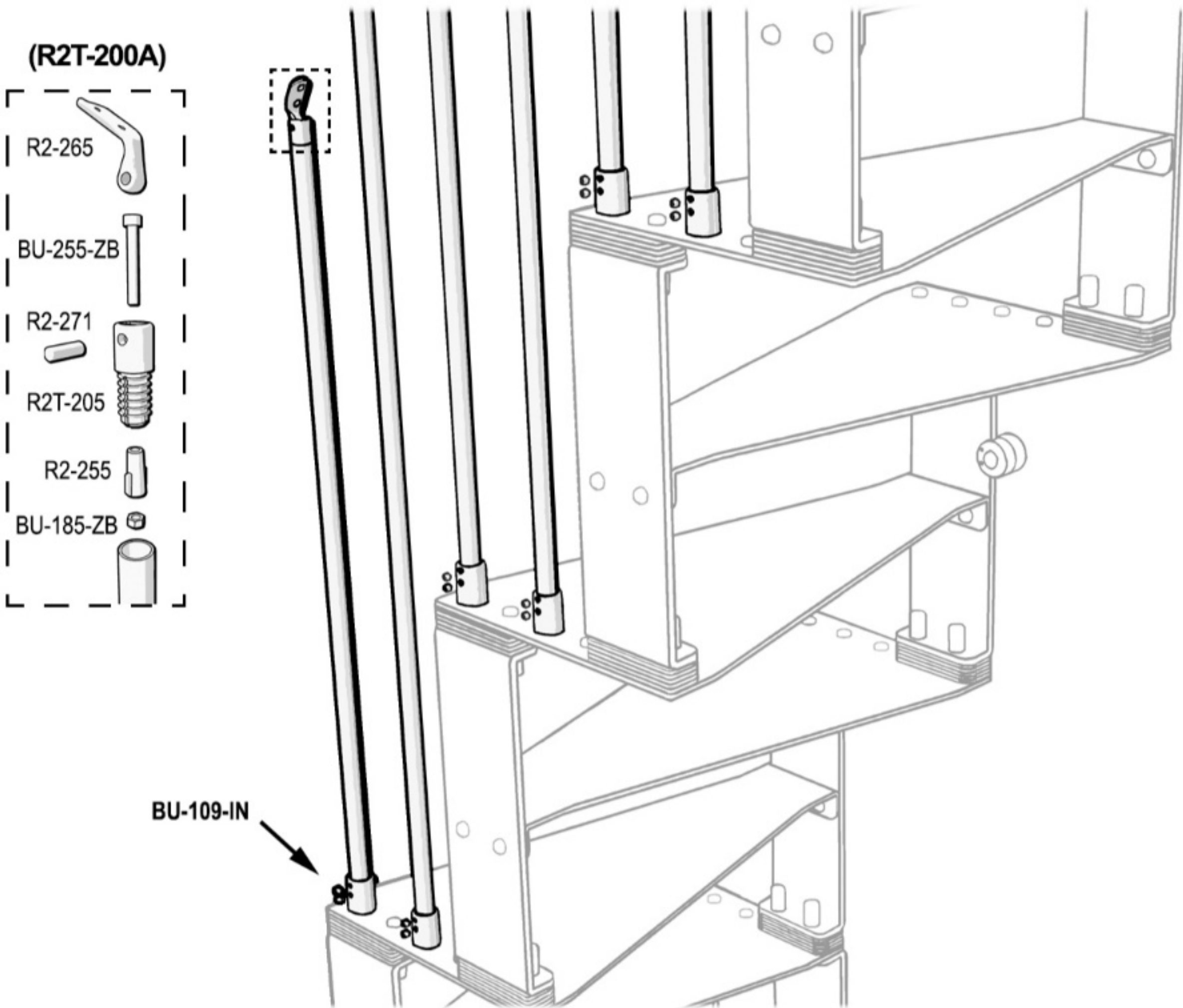


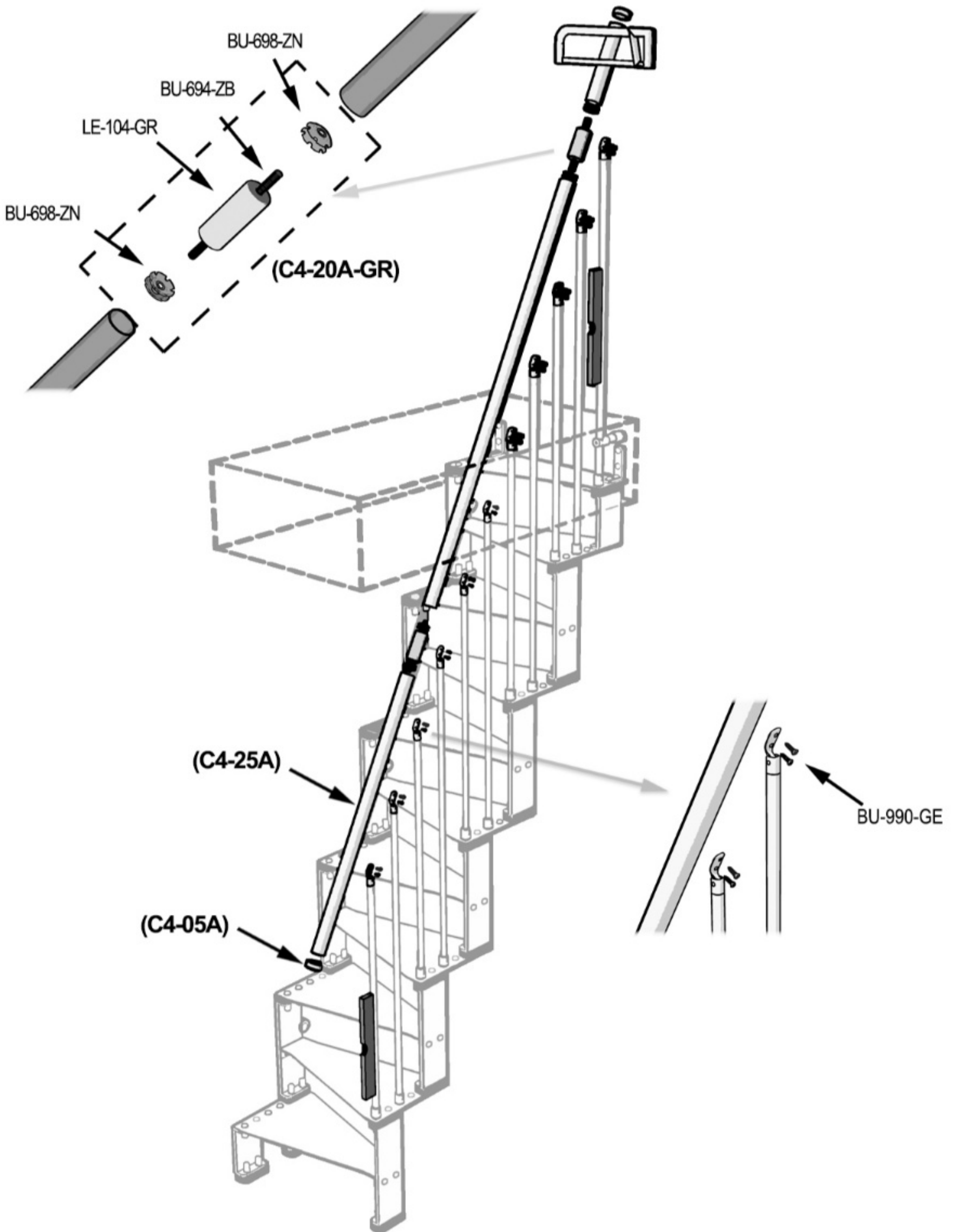
A < 220

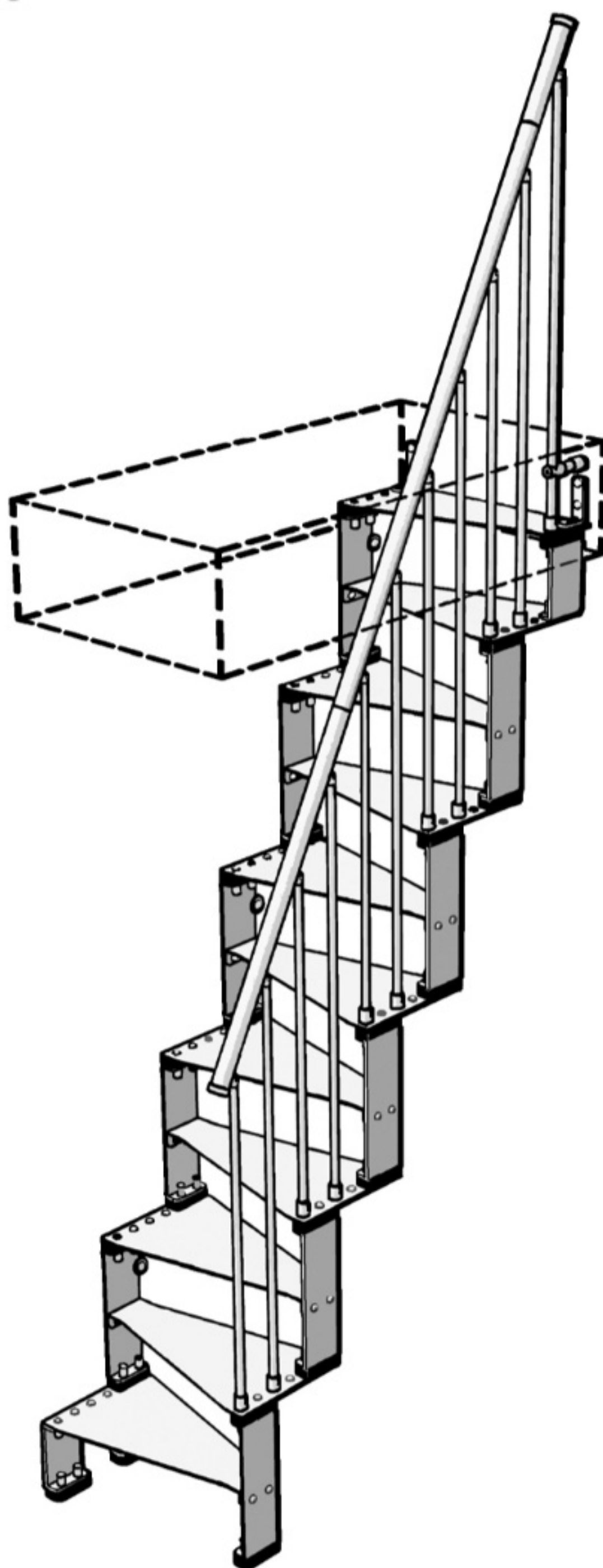
A = 220

A > 220



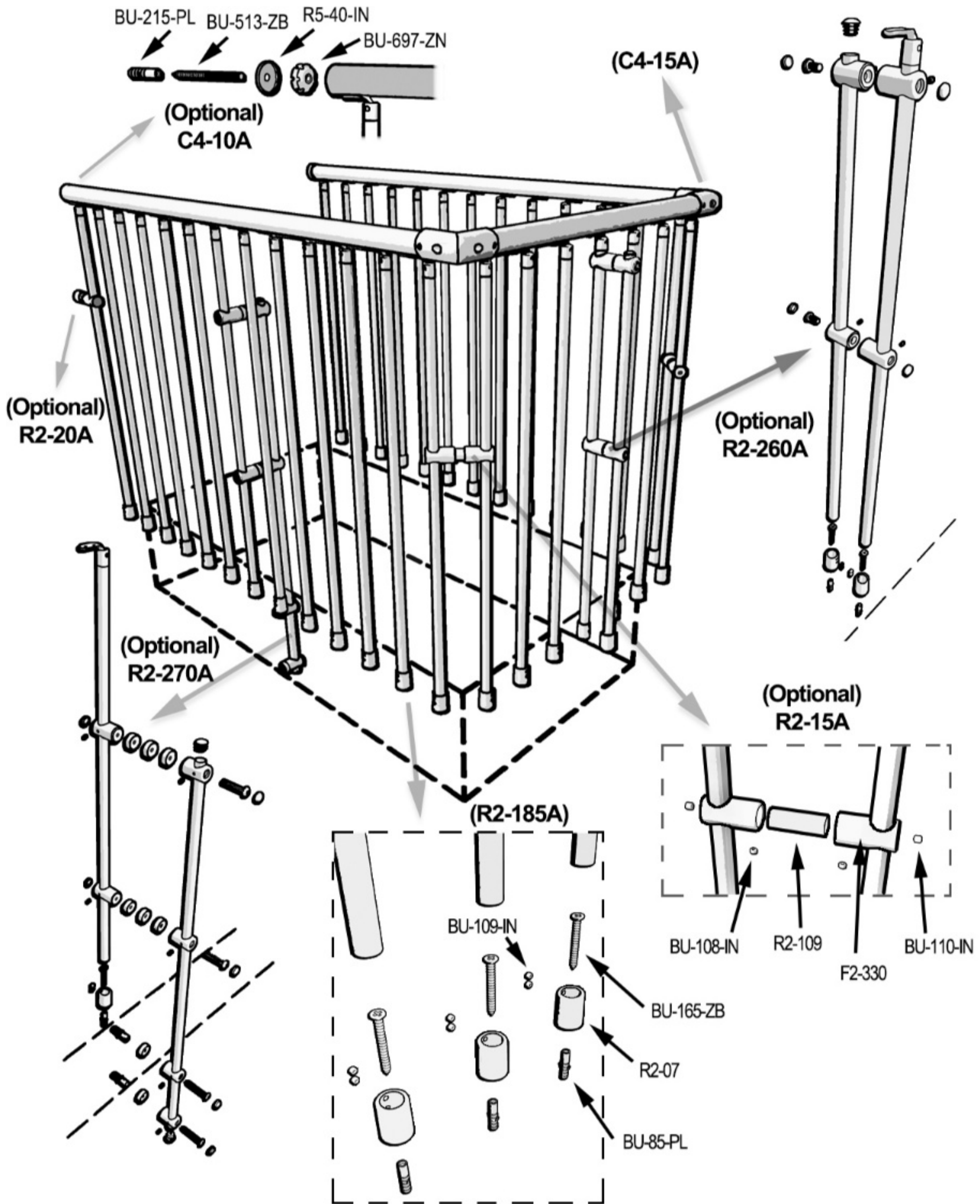






T20 KIT

Balustrade and stiffening accessories



T20 KIT

Stiffening and safety accessories

